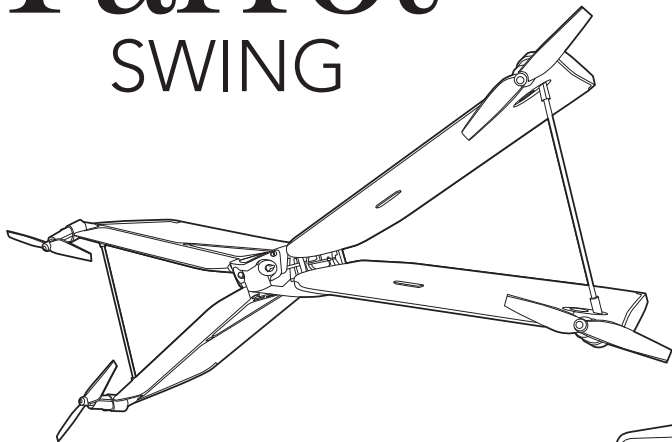


Parrot[®]

SWING



QUICK START GUIDE

GUIDE D'UTILISATION RAPIDE

GUÍA DE UTILIZACIÓN RÁPIDA

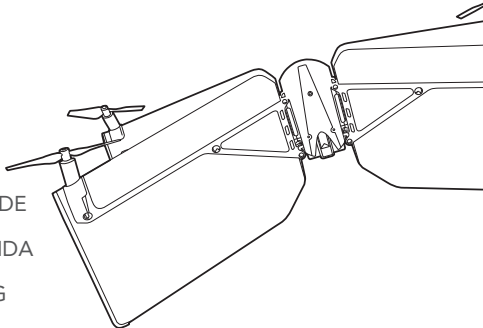
SCHNELLSTART-ANLEITUNG

GUIDA DI RIFERIMENTO RAPIDO

BEKNOPTE GEBRUIKSHANDLEIDING

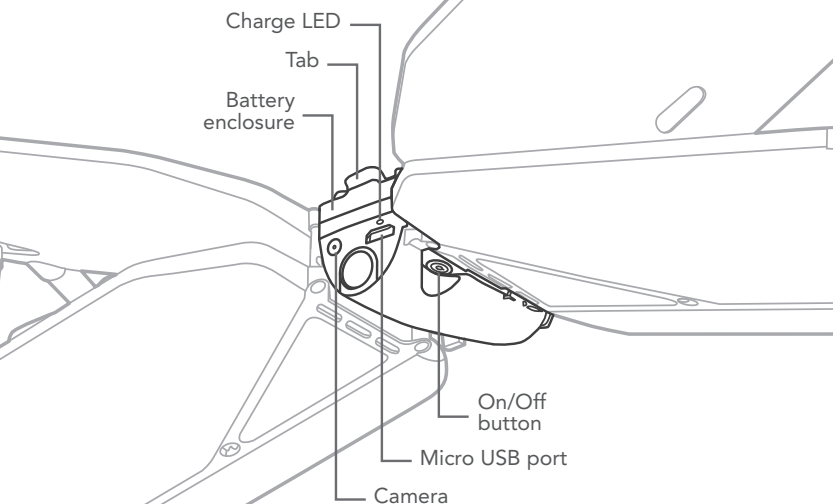
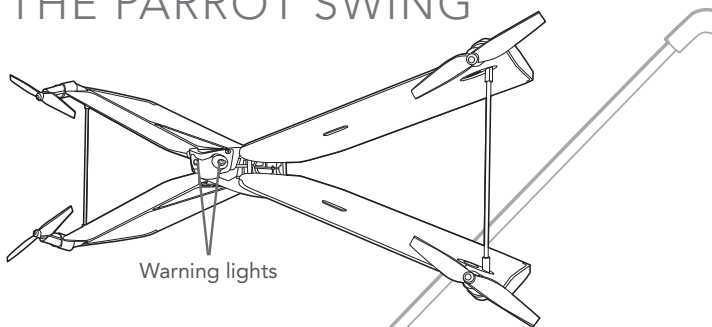
GUIA DE UTILIZAÇÃO RÁPIDA

دليل المستخدم المختصر

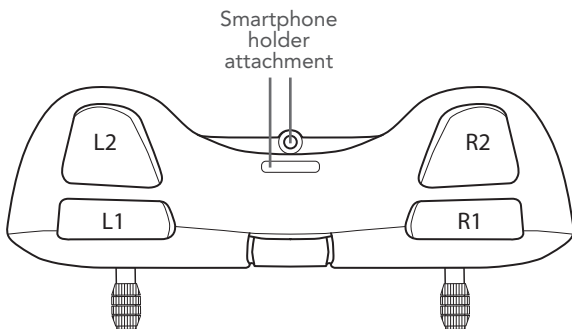
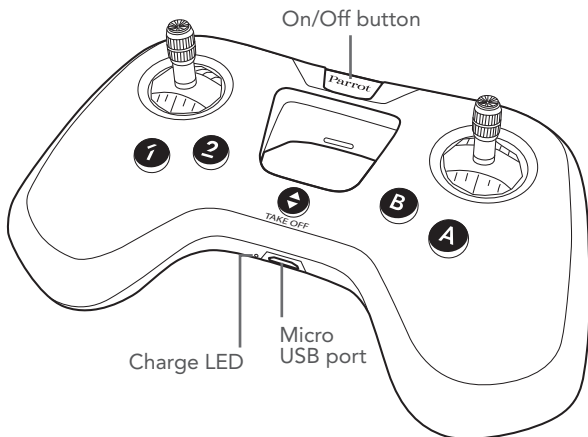


English	4
Français	22
Español.....	38
Deutsch	54
Italiano	70
Nederlands.....	86
Português	102
العربية.....	118

PRESENTATION OF THE PARROT SWING

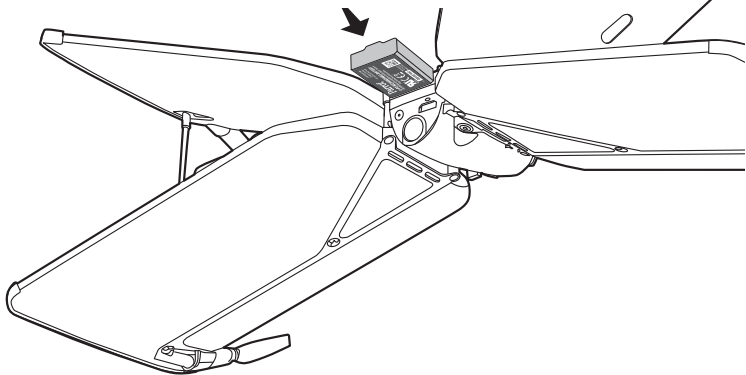


PRESENTATION OF THE PARROT FLYPAD

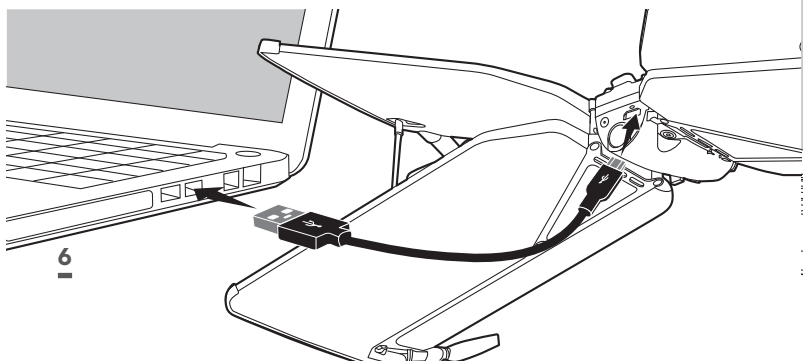


PARROT SWING: CHARGING THE BATTERY

1. Insert the battery in the slot provided for this purpose.



2. With the micro USB cable, connect the Parrot Swing to a computer or a USB power adapter.



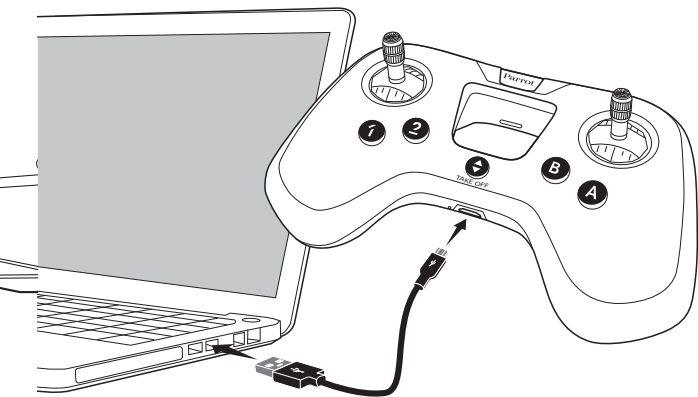
The charge LED is steady red when charging.

The charge time is approximately 30 minutes with a 2.1A charger. Once charging is complete, the charge LED turns green.

To remove the battery, lift the tab and slide the battery backwards.

PARROT FLYPAD: CHARGING THE BATTERY

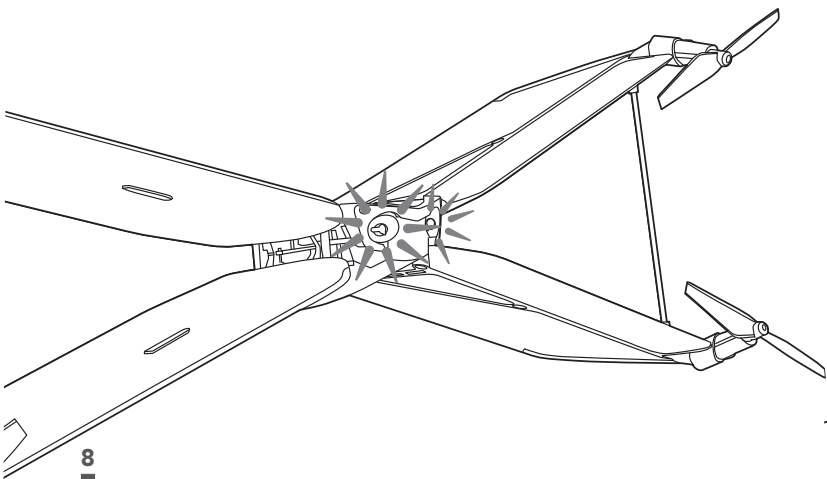
1. Connect the micro USB cable to the Parrot Flypad's micro USB port.
2. Connect the USB port to a computer or a USB power adapter.
 - The charge LED turns red to indicate that charging is in progress. Once charging is complete, the LED turns green.



The charge time is approximately 2 hours. Once charged, the Parrot Flypad has a battery life of about 6 hours.

CONNECTING THE PARROT FLYPAD TO THE PARROT SWING

- 1.** Insert the battery in the slot provided for this purpose or press the On/Off button.
 - The Parrot Swing turns on.
- 2.** Place the Parrot Swing on a flat surface with the propellers up.

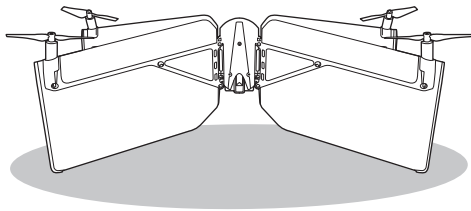



3. Wait until the warning lights turn green.
4. Press the Parrot Flypad's ON/OFF button to turn it on.
 - The Parrot Flypad's warning light flashes green and then becomes a steady green when the connection is established.



TAKING OFF


1. Place the Parrot Swing on a flat surface with the propellers up.



2. Press .

 - > The Parrot Swing takes off and stabilises at 1 meter above the ground waiting for a command.

LANDING

- To land the Parrot Swing, press the  button.
- > The Parrot Swing lands.

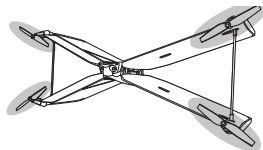
FLYING

You can fly the Parrot Swing in:

Quad mode: 

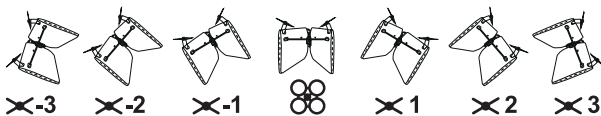


Plane mode: 



Press **R2** for the plane mode on the Parrot Swing's back, or **L2** for the plane mode on the Parrot Swing's front.

While in plane mode, the Parrot Swing has several gears:



The more parallel to the ground the wings of the Parrot Swing are, the faster the Parrot Swing will go.

For the quad mode, lower the gears or press .

LEFT CONTROL





Go up





Go down





 Quarter
turn to the left
 Rotate left





 Quarter
turn to the right
 Rotate
right

RIGHT CONTROL





 Accelerate
 Go forward





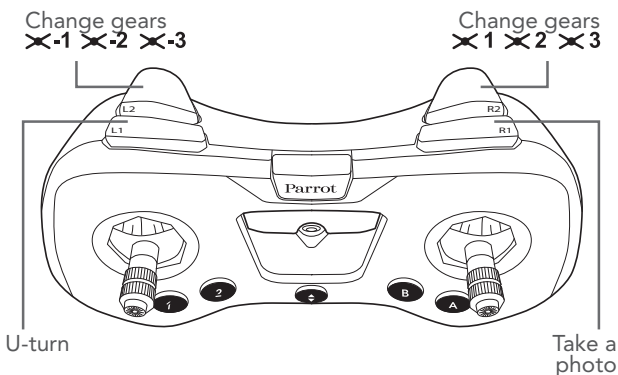
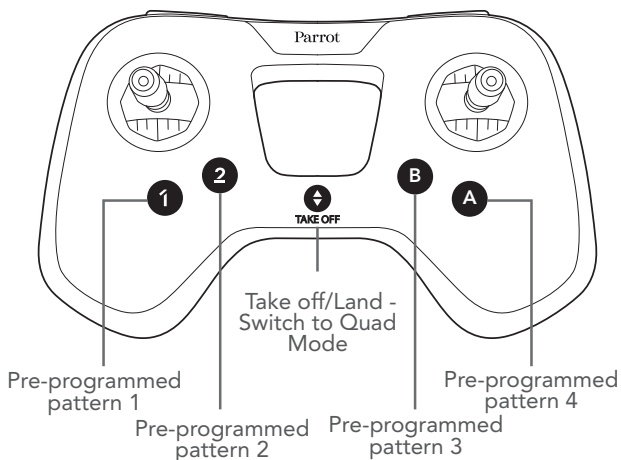
 Slow down
 Go backward



 Turn left
 Move left



 Turn right
 Move right



This configuration is the default configuration. Change and customise the Parrot Flypad's commands (see Configuring the buttons).

WARNING LIGHT INDICATIONS

PARROT SWING

Steady orange light	The Parrot Swing is starting up. > Place the Parrot Swing on a flat surface with the propellers up.
Steady green light	The Parrot Swing is ready for use.
Flashing red light	The Parrot Swing's battery is low. > Charge the battery.
Steady red light	The Parrot Swing has detected a problem. > Make sure <i>Bluetooth</i>[®] is enabled on your smartphone. If the problem persists, visit www.parrot.com.

PARROT FLYPAD

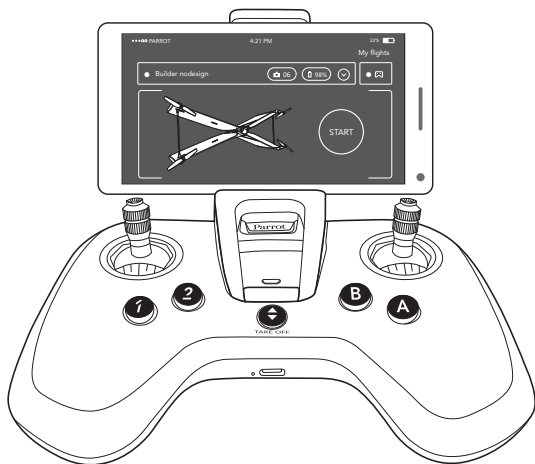
Steady green light	The Parrot Flypad is connected to the Parrot Swing or your smartphone.
Flashing green light	The Parrot Flypad is waiting for a connection.
Flashing red light	The Parrot Flypad is waiting for a connection, but its battery is low. > Charge the Parrot Flypad's battery.
Steady red light	The Parrot Flypad is connected to your smartphone or your Parrot Swing, but its battery is low. > Charge your Parrot Flypad's battery.
Steady red light and the Parrot Flypad is vibrating	The Parrot Flypad is connected to your smartphone or your Parrot Swing, but the Parrot Swing's battery is low. > Charge your Parrot Swing's battery.

FREEFLIGHT MINI

You can configure the settings of your Parrot Swing and your Parrot Flypad.

To do this:

Login to the App Store® or Google Play™ and download the free FreeFlight Mini application.



GENERAL INFORMATION

PRECAUTIONS FOR USE AND MAINTENANCE

The Parrot Flypad is intended to fly the Parrot Swing and is not suitable for children under 14 years of age.

Check the list of drones that are compatible with the Parrot Flypad in the Support section on www.parrot.com.

Only use accessories specified by Parrot Drones SAS.

If sand or dust gets into the Parrot Flypad, it may be irreparably damaged and no longer function correctly.

Do not expose the Parrot Flypad to rain or sun for an extended period.

Do not use this device near liquids.

Risk of ingestion of small objects. The packaging is not part of the product and must be discarded as a safety measure.

PARROT SWING

The Parrot Swing is not suitable for children under 14 years of age.

The Parrot Swing is a model aircraft designed for recreation and leisure. The pilot must, at all times, maintain eye contact with the Parrot Swing and control its trajectory. The Parrot Swing must be used according to the rules of civil aviation in your country. The places where it is used must be suitable for its progression in order to continuously ensure the safety of people, animals and property. Using the Parrot Swing in some public places (for example: train stations, airports, etc.) or on public roads may not be allowed.

The Parrot Swing's propellers in flight can cause damage to people, animals or objects. Always stay a safe distance away from the Parrot Swing. Do not touch the Parrot Swing in flight. Wait for the propellers to fully stop before handling the Parrot Swing.

Only use accessories specified by Parrot Drones SAS.

If sand or dust gets into the Parrot Swing, it may be irreparably damaged and no longer function properly.

Do not use the Parrot Swing in adverse weather conditions (rain, strong wind or snow) or when visibility is poor (at night).

Keep the Parrot Swing away from high voltage power lines, buildings or any other potentially hazardous areas.

Do not use this device near liquids. Do not place the Parrot Swing on water or on a wet surface as this could cause irreparable damage.

Do not leave the Parrot Swing in the sun.

WARNING REGARDING PRIVACY AND RESPECT FOR IMAGES OF PROPERTY

Recording and broadcasting an individual's image without their permission may constitute an invasion of privacy and you may be held liable. Ask permission before filming people, especially if you intend to keep your recordings and/or broadcast them. Do not broadcast degrading images which may affect an individual's reputation or dignity.

Recording and broadcasting the image of property without permission from its owner and or any third party holding intellectual property rights on the pro-

perty may constitute a violation of the property's image rights and you may be held liable. Ask permission from its owner and/or any third party with ownership rights.

HOW TO RECYCLE THIS PRODUCT



This symbol on the product or its documentation indicates that it must not be disposed of with household waste. Uncontrolled waste disposal may harm the environment or human health. Please separate your device from other types of waste to recycle it responsibly. This will help to foster the sustainable re-use of material resources. We invite you to contact your retailer or inquire at your local town hall to find out where and how the Parrot Flypad can be recycled.

WARRANTY

For the warranty conditions, please read the Terms and Conditions of sale of the retailer where you purchased the Parrot Flypad/Parrot Swing.

CONFORMITY DECLARATION (PARROT FLYPAD)

PARROT DRONES, 174 quai de Jemmapes, 75010 Paris, France, hereby declares that it is solely responsible for the compliance of the product described in this user guide with technical standards, EN 301489-17, EN300328, EN71-1, EN71-2, EN71-3, EN62115, EN62321 (1-7), according to the provisions of the R&TTE Directive 1999/5/EC and the General Product Safety Directive 2001/95/EC, the ROHS Directive 2011/65/EU. <http://www.parrot.com/uk/ce/?parrot-flypad>

CONFORMITY DECLARATION (PARROT SWING)

PARROT DRONES, 174 quai de Jemmapes, 75010 Paris, France, hereby declares that it is solely responsible for the compliance of the product described in this user guide with technical standards, EN 301489-17, EN300328, EN71-1, EN71-2, EN62115 according to the provisions of the R&TTE 1999/5/CE and the General Product Safety Directive 2001/95/EC. The statement of compliance is available at the following address: <http://www.parrot.com/uk/ce/?parrot-swing>

DECLARATION OF CONFORMITY IN CANADA & FCC

This device complies with the Industry Canada RSS applicable to license-exempt radio apparatus. Operation is permitted subject to the following two conditions: (1) the device must not produce interference, and (2) the user of the device must accept any radio interference encountered, even if the interference is likely to compromise operations.

FCC AND IC COMPLIANCE STATEMENT

This equipment has been tested and found to comply with the limits for a Class B Digital Device, pursuant to Part 15 of the FCC Rules / with Industry Canada Licence-exempt RSS standard(s). These limits are designed to provide reasonable protection against harmful interference in a residential installation. This equipment generates, uses and can radiate radio frequency energy and, if not installed and used in accordance with the instructions, may cause harmful in-

interference to radio communications. However, there is no guarantee that interference will not occur in a particular installation. If this equipment does cause harmful interference to radio or television reception, which can be determined by turning the equipment off and on, the user is encouraged to try to correct the interference by one or more of the following measures:

- Reorient or relocate the receiving antenna.
- Increase the distance between the equipment and receiver.
- Connect the equipment to an outlet on a circuit different from that to which the receiver is connected.
- Consult the dealer or an experienced radio/TV technician for help.

This equipment complies with Part 15 of the FCC Rules / with Industry Canada Licence exempt RSS standard(s). Operation is subject to the following two conditions: This equipment may not cause harmful interference. This equipment must accept any interference received, including interference that may cause undesired operation. Modifications not authorized by the manufacturer may void the user's authority to operate this device.

Caution: Exposure to Radio Frequency Radiation

The installer of this radio equipment must ensure that the antenna is located or pointed such that it does not emit RF field in excess of Health Canada limits for the general population; consult Safety Code 6, obtainable from Health Canada's website at <http://www.hc-sc.gc.ca>

To meet the FCC/IC requirements on exposure to RF for transmission devices, a distance of at least 20 cm must be maintained between the product's aerial and people.

To ensure compliance, it is recommended that the device not be used at any shorter distance.

FCC RADIATION EXPOSURE STATEMENT

This equipment complies with FCC RF radiation exposure limits set for an uncontrolled environment. This transmitters must not be co-located or operating in conjunction with any other antenna or transmitter.

This equipment complies with part 15 of the FCC Rules. Operation is subject to the following two conditions: (1) This device may not cause harmful interference, and (2) This device must accept any interference, including interference that may cause undesired operation.

CAUTION!

The manufacturer is not responsible for any radio or TV interference caused by unauthorized modifications to this equipment. Such modifications could void the user authority to operate the equipment.

BATTERY

WARNING: Failure to follow all the instructions may result in serious injury, irreparable damage to the battery and may cause a fire, smoke or explosion.

Always check the battery's condition before charging or using it. Replace the battery if it has been dropped, or in case of odour, overheating, discolouration, deformation or leakage. Never use anything other than the approved LiPo charger to charge the battery. Always use a balancing charger for LiPo cells or a LiPo cell balancer. It is recommended that you do not to use any other charger than the one

provided with the product. Never trickle charge or charge under 2.5 V per cell. The battery temperature must never exceed 60 °C (140 °F) otherwise the battery could be damaged or ignite. Never charge on a flammable surface, near flammable products or inside a vehicle (preferably place the battery in a non-flammable and non-conductive container). Never leave the battery unattended during the charging process. Never disassemble or modify the housing's wiring, or puncture the cells. Always ensure that the charger output voltage corresponds to the voltage of the battery. Do not short circuit the batteries. Never expose the LiPo battery to moisture or direct sunlight, or store it in a place where temperatures could exceed 60 °C (car in the sun, for example). Always keep it out of reach of children. Improper battery use may result in a fire, explosion or other hazard.



The battery terminals should not be allowed to short-circuit. The product should be connected only to class II appliances which display the symbol.

TRADEMARKS

Parrot Flypad, Parrot Swing as well as their respective logos are trademarks of Parrot Drones SAS.

Parrot and the Parrot logos are trademarks of Parrot S.A.

App Store is a trademark of Apple Inc.

Google Play is a trademark of Google Inc.

The *Bluetooth*[®] name and logo are registered trademarks of Bluetooth SIG, Inc. and any use of these trademarks by Parrot Drones SAS is done under licence.

All other trademarks mentioned in this guide are the property of their respective owners.

MANUFACTURER INFORMATION

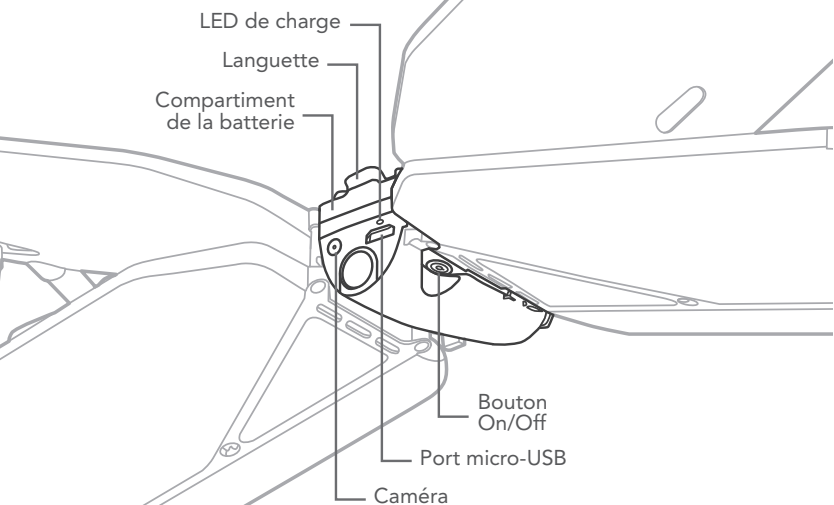
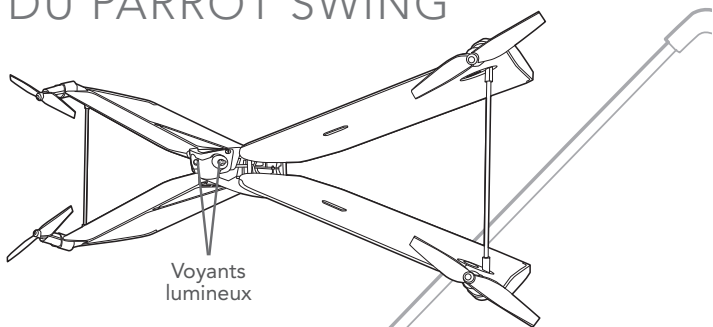
The Parrot Flypad/Parrot Swing is manufactured by: PARROT DRONES SAS - 174 Quai de Jemmapes - 75010 Paris (France) - Corporate and Trade Register Paris 808 408 074

FCC ID: 2AG6IWINGX

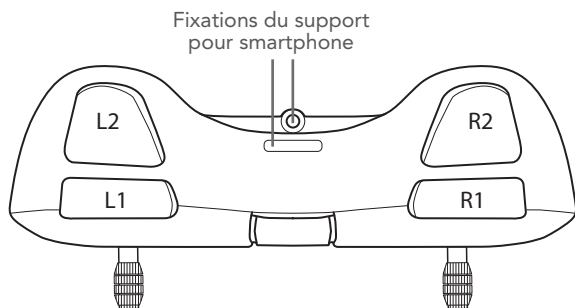
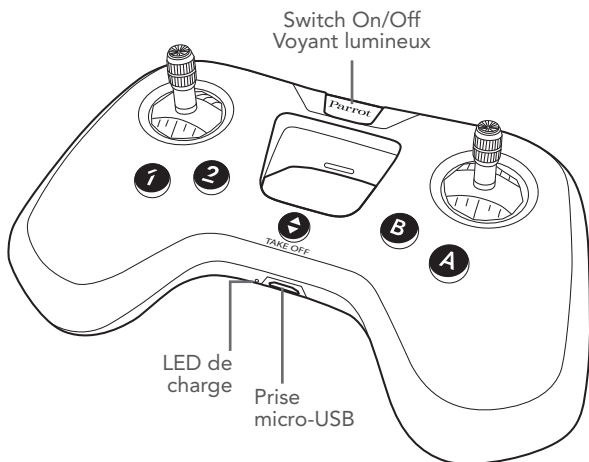
IC ID: 21053-WINGX



PRÉSENTATION DU PARROT SWING

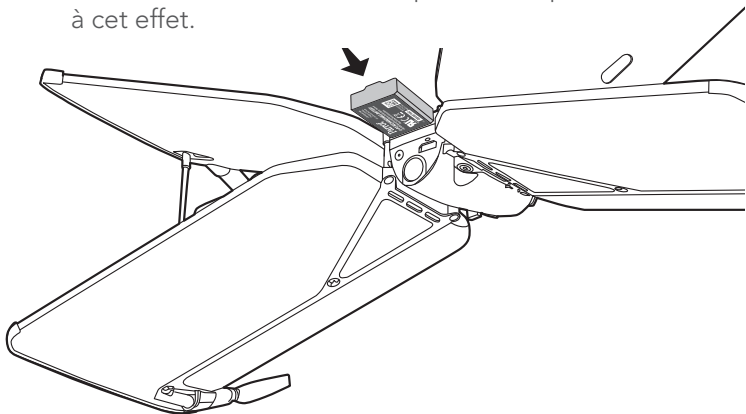


PRÉSENTATION DU PARROT FLYPAD

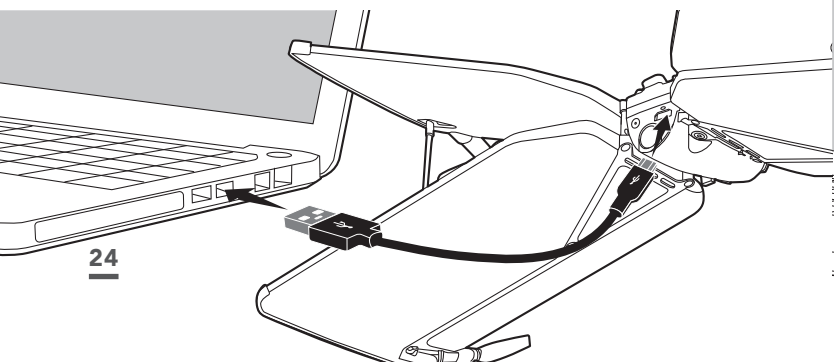


CHARGER LA BATTERIE DU PARROT SWING

1. Insérez la batterie dans l'emplacement prévu à cet effet.



2. Avec le câble micro-USB, connectez le Parrot Swing à un ordinateur ou à un adaptateur secteur USB.



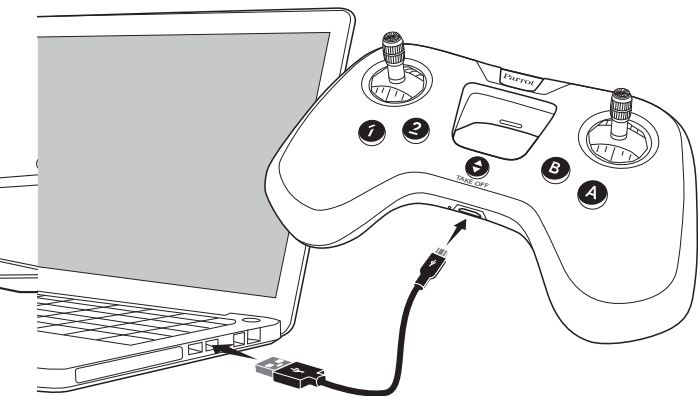
La LED passe au rouge pendant la charge.

Le temps de charge est d'environ 30 minutes avec un chargeur 2,1A. Lorsque la charge est terminée, la LED passe au vert.

Pour retirer la batterie, soulevez la languette et faites glisser la batterie vers l'arrière.

CHARGER LA BATTERIE DU PARROT FLYPAD

1. Branchez le câble micro-USB au port micro-USB du Parrot Flypad.
2. Connectez le port USB à un ordinateur ou à un adaptateur secteur USB.



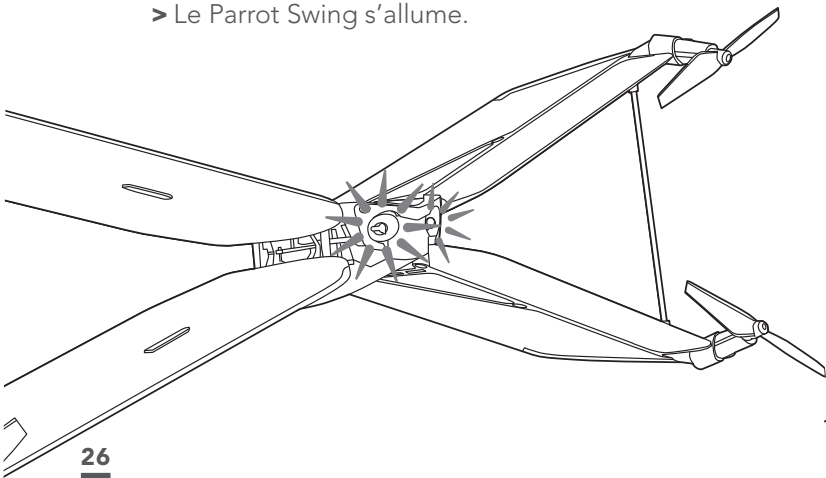
La LED passe au rouge pendant la charge.
Le temps de charge est d'environ 2 heures avec un chargeur 2,1A.

Lorsque la charge est terminée, la LED passe au vert.

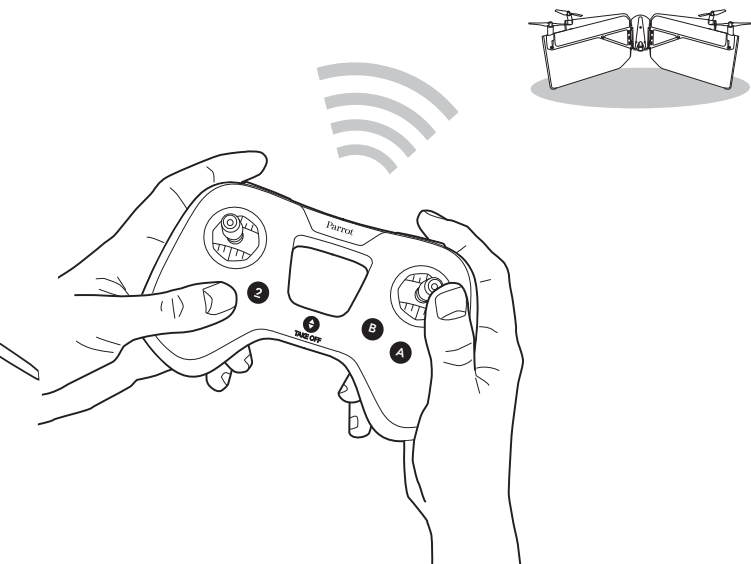
Le Parrot Flypad a une autonomie d'environ 6 heures.

CONNECTER LE PARROT FLYPAD AU PARROT SWING

1. Insérez la batterie dans l'emplacement prévu à cet effet ou appuyez sur le switch On/Off.
➤ Le Parrot Swing s'allume.

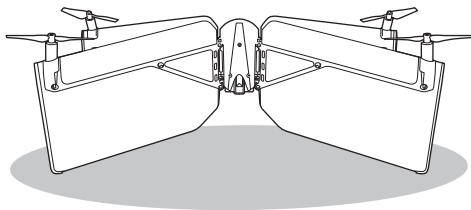



2. Posez le Parrot Swing sur une surface plane, les hélices vers le haut.
3. Attendez que les voyants lumineux passent au vert.
4. Appuyez sur le switch On/Off du Parrot Flypad.
 - Le voyant lumineux du Parrot Flypad clignote vert puis reste vert une fois la connexion établie.




DÉCOLLER

1. Posez le Parrot Swing sur une surface plane, les hélices vers le haut.



2. Appuyez sur le bouton  du Parrot Flypad.
> Parrot Swing décolle en mode quad et se stabilise à 1 mètre du sol en attente de commandes.

ATTERIR

- Appuyez sur .
- > Le Parrot Swing atterrit.

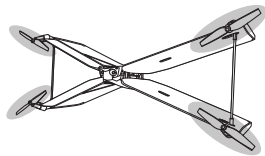
PILOTER

Vous pouvez piloter le Parrot Swing :

En mode quad : 



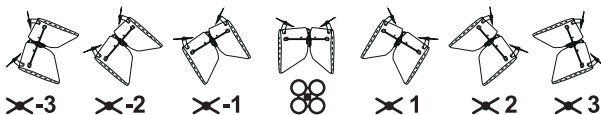
En mode avion : 



Appuyez sur **R2** pour passer en mode avion sur le dos, ou sur **L2** pour passer en mode avion sur le ventre.

Pour accélérer, appuyez à nouveau sur **R2** ou **L2**.

En mode avion, le Parrot Swing a plusieurs vitesses :



Plus les ailes du Parrot Swing sont parallèles au sol, plus il est rapide.

Pour passer en mode quad, diminuez les vitesses, ou appuyez sur .

COMMANDE GAUCHE



Monter



Descendre



✕ Quart de tour à gauche

⊗ Tourner à gauche



✕ Quart de tour à droite

⊗ Tourner à droite

COMMANDE DROITE



✕ Accélérer

⊗ Avancer



✕ Ralentir

⊗ Reculer



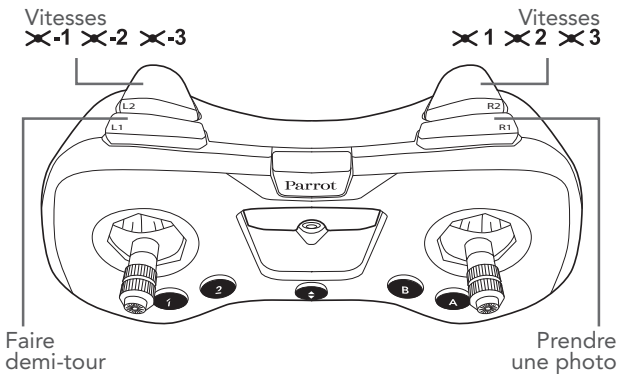
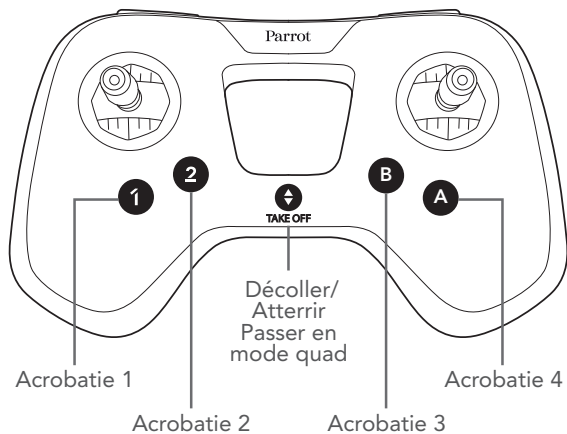
✕ Tourner à gauche

⊗ Déplacement vers la gauche



✕ Tourner à droite

⊗ Déplacement vers la droite



Cette configuration est la configuration par défaut. Vous pouvez modifier et personnaliser les commandes du Parrot Flypad.

COMPORTEMENT DES VOYANTS LUMINEUX

PARROT SWING

Orange	Le Parrot Swing est en cours de démarrage. > Posez le Parrot Swing sur une surface plane, les hélices vers le haut.
Vert	Le Parrot Swing est prêt à être utilisé.
Rouge clignotant	La batterie du Parrot Swing est faible. > Rechargez la batterie.
Rouge	Le Parrot Swing a détecté un problème. > Assurez-vous que le Bluetooth® est activé sur votre smartphone. Si le problème persiste, rendez-vous sur www.parrot.com

PARROT FLYPAD

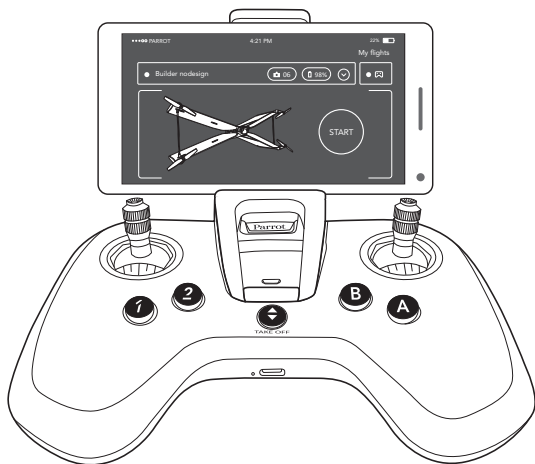
Vert	Le Parrot Flypad est connecté au drone Parrot ou à votre smartphone.
Vert clignotant	Le Parrot Flypad est en attente de connexion.
Rouge clignotant	Le Parrot Flypad est en attente de connexion mais sa batterie est faible. > Rechargez la batterie du Parrot Flypad.
Rouge	Le Parrot Flypad est connecté à votre smartphone ou à votre drone Parrot, mais sa batterie est faible. > Rechargez le Parrot Flypad.
Rouge et vibrations du Parrot Flypad	Le Parrot Flypad est connecté à votre smartphone ou à votre drone Parrot, mais la batterie du drone est faible. > Rechargez le drone Parrot.

FREEFLIGHT MINI

Vous pouvez configurer les paramètres de votre Parrot Swing et de votre Parrot Flypad.

Pour cela :

Connectez-vous sur l'App Store® ou sur Google Play™ et téléchargez l'application gratuite FreeFlight Mini.



INFORMATIONS GÉNÉRALES

ACCESSOIRES ET PIÈCES DE RECHANGE

Des accessoires et pièces de rechange sont disponibles auprès de votre revendeur Parrot ou depuis le site parrot.com.

PRÉCAUTIONS D'UTILISATION ET ENTRETIEN

PARROT FLYPAD

Le Parrot Flypad est destiné à piloter un Drone Parrot et ne convient pas aux enfants de moins de 14 ans.

Le Parrot Swing ne convient pas aux enfants de moins de 14 ans.

Le Parrot Swing est un aéromodèle conçu à des fins récréatives et de loisirs. Le pilote doit, à tout instant, conserver un contact visuel avec le Parrot Swing et contrôler sa trajectoire. Le Parrot Swing doit être utilisé conformément aux règles de l'aviation civile de votre pays. Les lieux d'utilisation doivent être adaptés à son évolution pour assurer en permanence la sécurité des personnes, des animaux et des biens. L'utilisation du Parrot Swing dans certains lieux du domaine public (par ex : gare, aéroports...) ou sur la voie publique peut ne pas être autorisée.

PARROT SWING

Les hélices du Parrot Swing en vol peuvent causer des dommages à des personnes, des animaux ou à des objets. Gardez toujours une distance de sécurité avec le Parrot Swing. Ne touchez pas le Parrot Swing en vol. Patientez jusqu'à l'arrêt total des hélices avant de manipuler le Parrot Swing.

Utilisez uniquement les accessoires spécifiés par Parrot Drones SAS.

Si du sable ou de la poussière pénètre dans le Parrot Swing, celui-ci peut ne plus fonctionner correctement, de manière irréversible.

N'utilisez pas le Parrot Swing dans des conditions météorologiques défavorables (pluie, vent fort, neige) ou lorsque les conditions de visibilité sont insuffisantes (nuit).

Maintenez le Parrot Swing à l'écart de lignes de haute tension, bâtiments ou toute autre zone potentiellement dangereuse.

N'utilisez pas cet appareil à proximité de substances liquides. Ne posez pas le Parrot Swing sur l'eau ou sur une surface humide, cela pourrait causer des dommages irréversibles.

Ne laissez pas le Parrot Swing au soleil.

GARANTIE

Pour connaître les conditions de garanties, merci de vous référer aux Conditions Générales de Vente du revendeur auprès duquel vous avez acheté le Parrot Swing et le Parrot Flypad.

COMMENT RECYCLER CE PRODUIT



Ce symbole sur le produit ou sa documentation indique qu'il ne doit pas être éliminé en fin de vie avec les autres déchets ménagers. L'élimination incontrôlée des déchets pouvant porter préjudice à l'environnement ou à la santé humaine, veillez à le séparer des autres types de déchets et le

recycler de façon responsable. Vous favoriserez ainsi la réutilisation durable des ressources matérielles. Nous vous invitons à contacter votre revendeur ou à vous renseigner auprès de votre mairie afin de savoir où et comment le Parrot Swing et le Parrot Flypad peuvent être recyclés.

DÉCLARATION DE CONFORMITÉ UE (PARROT SWING)

PARROT DRONES, 174 quai de Jemmapes, 75010 Paris, France, déclare sous son unique responsabilité que le produit décrit dans le présent guide utilisateur est en conformité avec les normes techniques, EN 301489-17, EN300328, EN71-1, EN71-2, EN62115 suivant les dispositions de la directive R&TTE 1999/5/CE et la directive de sécurité générale de produits 2001/95/CE. La déclaration de conformité est disponible à l'adresse suivante :

www.parrot.com/fr/ce/?parrot-swing

DÉCLARATION DE CONFORMITÉ UE (PARROT FLYPAD)

PARROT DRONES, 174 quai de Jemmapes, 75010 Paris, France, déclare sous son unique responsabilité que le produit décrit dans le présent guide utilisateur est en conformité avec les normes techniques, EN 301489-17, EN300328, EN71-1, EN71-2, EN71-3, EN62115, EN62321 (1-7), suivant les dispositions de la directive R&TTE 1999/5/CE, la directive RoHS 2011/65/UE, et la directive de sécurité générale de produits 2001/95/CE.

<http://www.parrot.com/ce/?parrot-flypad>

DÉCLARATION DE CONFORMITÉ CANADA ET FCC

Le présent appareil est conforme aux CNR d'Industrie Canada applicables aux appareils radio exempts de licence. L'exploitation est autorisée aux deux conditions suivantes : (1) l'appareil ne doit pas produire de brouillage, et (2) l'utilisateur de l'appareil doit accepter tout brouillage radioélectrique subi, même si le brouillage est susceptible d'en compromettre le fonctionnement.

Cet appareil numérique de classe B est conforme à l'ICES-003.

FCC/IC

Pour répondre aux exigences relatives à l'exposition RF de la FCC/IC pour les appareils de transmission, une distance d'au moins 20cm doit être maintenue entre l'antenne du produit et les personnes. Pour assurer la conformité, l'utilisation à une distance inférieure n'est pas recommandée.

MARQUES

Parrot et le logo Parrot sont des marques de Parrot SA utilisées sous licence.

Parrot Swing et son logo sont des marques de Parrot Drones SAS.

App Store est une marque de service d'Apple Inc.

Google Play est une marque de Google Inc.

Le nom et le logo *Bluetooth*[®] sont des marques déposées de *Bluetooth SIG, Inc.*

et toute utilisation de ces derniers par Parrot Drones SAS est faite sous licence.

Toutes les autres marques mentionnées dans ce guide sont la propriété de leurs titulaires respectifs.

MISE EN GARDE CONCERNANT LE RESPECT DE LA VIE PRIVÉE ET RESPECT DE L'IMAGE DES BIENS

Enregistrer et diffuser l'image d'une personne sans son autorisation peut constituer une atteinte à sa vie privée et être susceptible d'engager votre responsabilité. Demandez l'autorisation avant de filmer des personnes, notamment, si vous souhaitez conserver vos enregistrements et/ou les diffuser. Ne diffusez pas d'images dégradantes ou pouvant porter atteinte à la réputation ou à la dignité d'une personne.

Enregistrer et diffuser l'image d'un bien sans l'autorisation de son propriétaire et/ou de tout tiers disposant de droits de propriété intellectuelle sur le bien peut constituer une atteinte au droit à l'image du bien et être susceptible d'engager votre responsabilité. Demandez l'autorisation à son propriétaire et/ou de tout tiers disposant de droit de propriété.

BATTERIE

ATTENTION : Le non-respect de l'ensemble des instructions peut provoquer des blessures graves, endommager de façon irréversible la batterie et provoquer un incendie, un dégagement de fumée ou une explosion.

Toujours vérifier l'état de la batterie avant de la charger ou de l'utiliser. Remplacer la batterie si elle a subi un choc, ou en cas d'odeur, de surchauffe, de décoloration, de déformation ou de fuite. Ne jamais rien utiliser pour charger la batterie à l'exception d'un chargeur approuvé LiPo. Toujours utiliser un chargeur à équilibrage de cellules LiPo ou un équilibreur de cellules LiPo. Il est recommandé de ne pas utiliser un autre chargeur que celui fourni avec le produit. Ne jamais effectuer de chargement à régime lent, ou en dessous de 2,5 V par cellule. La température de la batterie ne doit jamais excéder les 60 °C (140 °F) sinon la batterie pourrait être endommagée ou s'enflammer. Ne jamais effectuer de charge sur un support inflammable, à proximité de produits inflammables ou à l'intérieur d'un véhicule (placer de préférence la batterie dans un récipient non inflammable et non conducteur). Ne jamais laisser la batterie sans surveillance durant le processus de charge. Ne jamais désassembler ou modifier le câblage du boîtier, ou percer les cellules. Toujours s'assurer que la tension de sortie du chargeur corresponde à la tension de la batterie. Ne pas mettre de batteries en court-circuit. Ne jamais exposer la batterie LiPo à l'humidité ou directement au soleil, ou dans un endroit où la température peut dépasser 60°C (voiture en plein soleil par exemple). **Toujours tenir hors de portée des enfants.** Une mauvaise utilisation de la batterie peut provoquer des incendies, des explosions ou d'autres dangers.



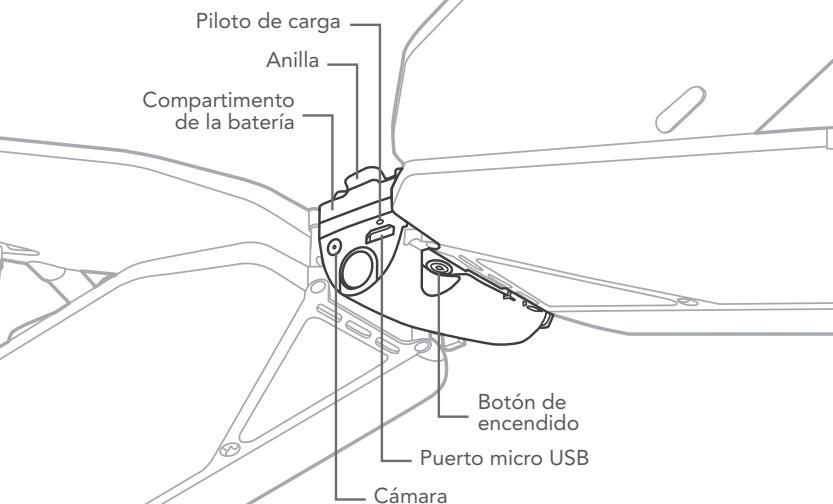
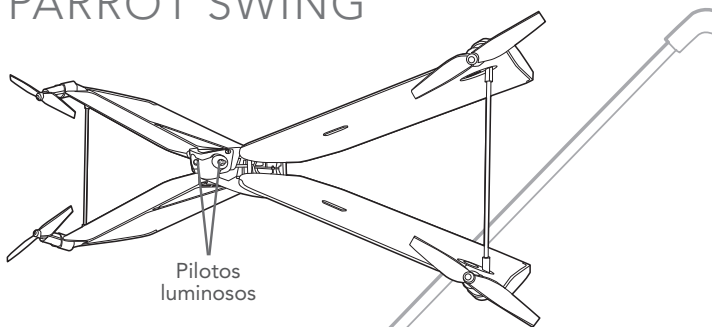
Les bornes de la batterie ne doivent pas être mises en court-circuit. Le produit doit uniquement être connecté au matériel de classe II portant le symbole ci-contre.

INFORMATIONS FABRICANT

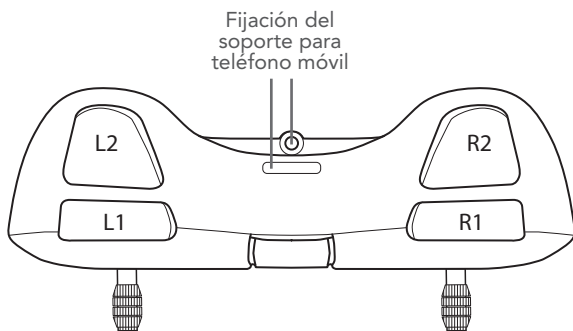
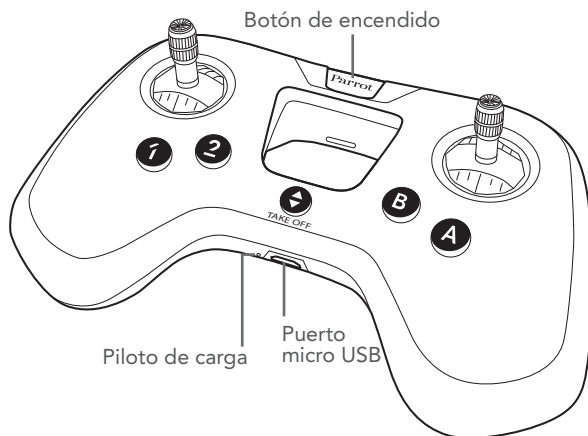
Le Parrot SWING est fabriqué par : Parrot Drones SAS, 174 Quai de Jemmapes, 75010 Paris (France) - RCS Paris 808 408 074 - www.parrot.com



PRESENTACIÓN DEL PARROT SWING

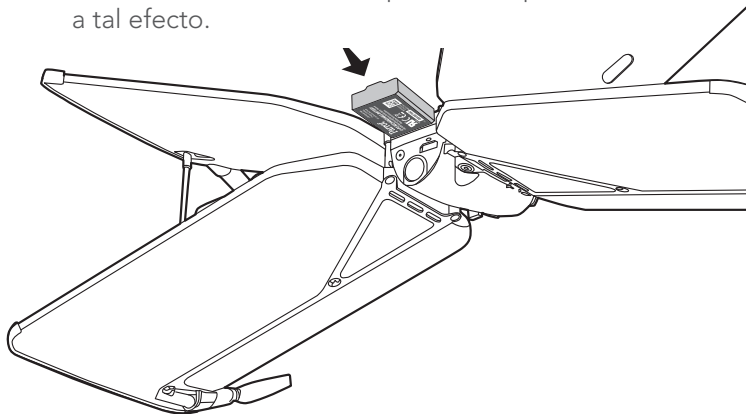


PRESENTACIÓN DEL PARROT FLYPAD

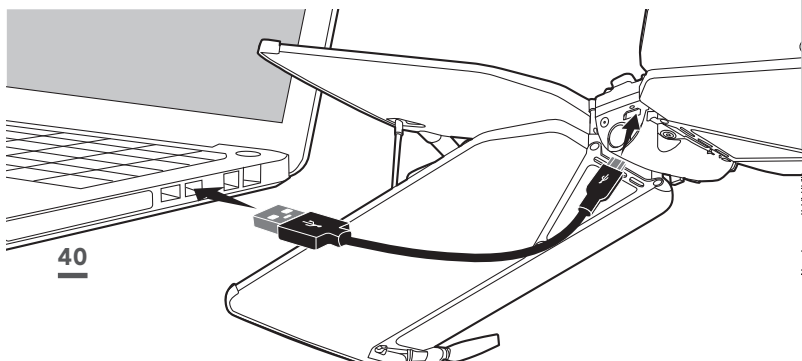


PARROT SWING: CARGA DE LA BATERÍA

1. Coloca la batería en el compartimento previsto a tal efecto.



2. Con el cable micro USB, conecta el Parrot Swing a un ordenador o un adaptador de alimentación con puerto USB.



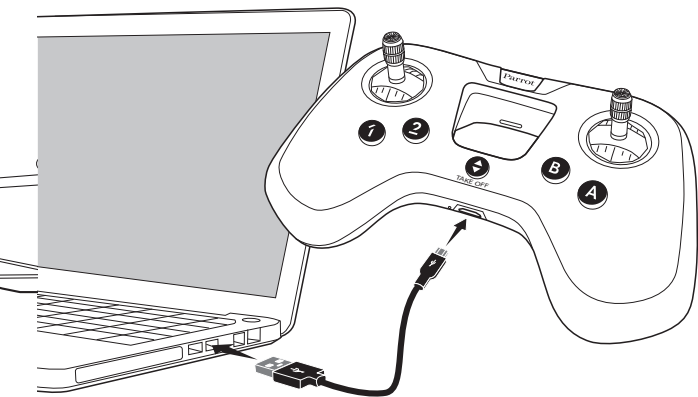
El piloto de carga se queda iluminado en rojo durante la carga.

La carga suele durar unos 30 minutos con un cargador de 2,1 A. Una vez terminada la carga, el piloto de carga se pondrá en verde.

Para retirar la batería, levanta la anilla y desliza la batería hacia atrás.

CARGA DE LA BATERÍA

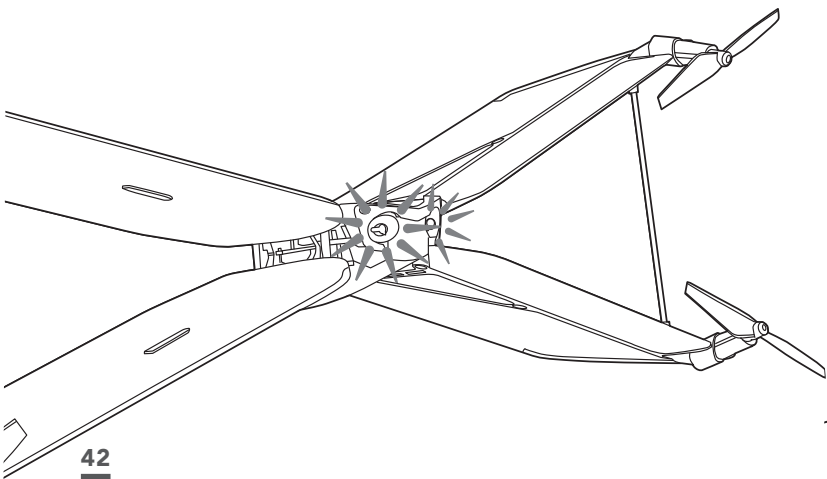
1. Conecta el cable micro USB al puerto micro USB del Parrot Flypad.
2. Conecta el puerto USB a un ordenador o un adaptador de alimentación con puerto USB.
 - El piloto de carga se mantiene encendido en rojo para indicar que la carga está en proceso. Una vez terminada la carga, el piloto se pondrá en verde.



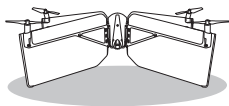
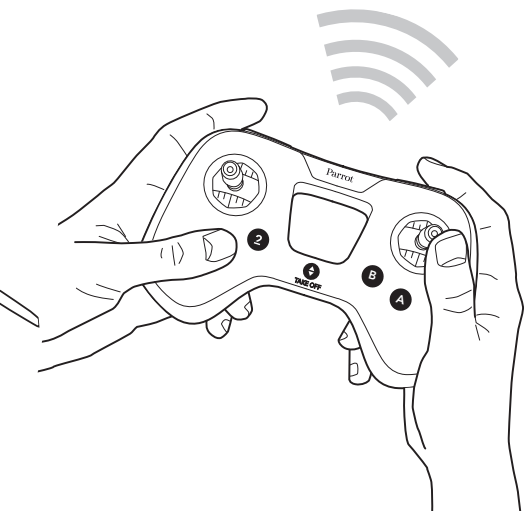
El tiempo de carga es de unas 2 horas. Una vez cargado, Parrot Flypad tiene una autonomía de unas 6 horas.

CONECTA TU PARROT FLYPAD A TU PARROT SWING

- 1.** Coloca la batería en el compartimento previsto a tal efecto y pulsa en el botón de encendido.
➤ Parrot Swing se enciende.
- 2.** Apoya el Parrot Swing sobre una superficie plana, con las hélices hacia arriba.

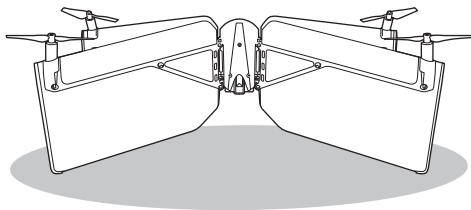


3. Espera a que los pilotos luminosos se pongan en verde.
4. Pulsa en el botón de encendido del Parrot Flypad.
 - > El piloto luminoso del Parrot Flypad parpadea en verde y se queda iluminado en verde cuando se establece la conexión.



DESPEGAR

1. Apoya el Parrot Swing sobre una superficie plana, con las hélices hacia arriba.



2. Pulsa en el botón  del Parrot Flypad.
 - > Parrot Swing despegue y se estabiliza a 1 metro del suelo a la espera de órdenes.

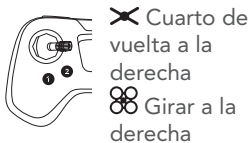
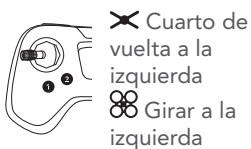
ATERRIZAR

Para hacer aterrizar el Parrot Swing, pulsa en el botón .

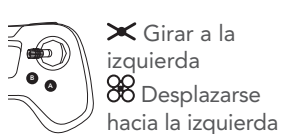
- > Parrot Swing aterriza.

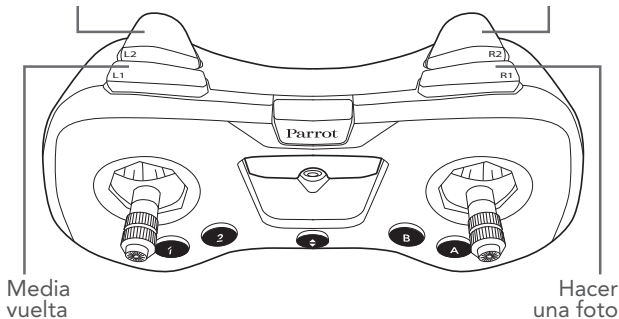
PILOTAR

COMANDO IZQUIERDO



COMANDO DERECHO





Esta es la configuración por defecto. Modifica y personaliza los comandos del Parrot Flypad (véase «Configurar los botones»).

COMPORTAMIENTO DE LOS PILOTOS LUMINOSOS

PARROT SWING

Naranja fijo	Parrot Swing se está encendiendo. > Apoya el Parrot Swing sobre una superficie plana, con las hélices hacia arriba.
Verde fijo	Parrot Swing está listo para usarse.
Parpadeo en rojo	Poca batería en el Parrot Swing. > Vuelve a cargar la batería.
Rojo fijo	Parrot Swing ha detectado un problema. > Comprueba que el Bluetooth® esté activado en el móvil. Si el problema persiste, visita www.parrot.com.

PARROT FLYPAD

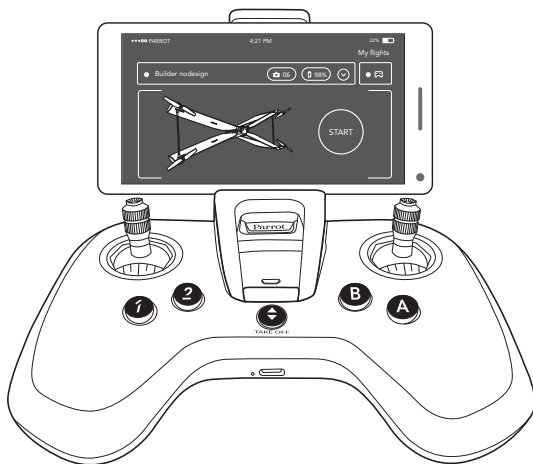
Verde fijo	Parrot Flypad está conectado al Parrot Swing o a un móvil.
Parpadeo en verde	Parrot Flypad está esperando conexión.
Parpadeo en rojo	Parrot Flypad está esperando conexión y se está quedando sin batería. > Vuelve a cargar la batería del Parrot Flypad.
Rojo fijo	Parrot Flypad está conectado al móvil o al Parrot Swing y se está quedando sin batería. > Vuelve a cargar la batería del Parrot Flypad.
Rojo fijo y vibraciones del Parrot Flypad	Parrot Flypad está conectado al móvil o al Parrot Swing y se está quedando sin batería. > Vuelve a cargar la batería del Parrot Swing.

FREEFLIGHT MINI

Puedes configurar los ajustes de tu Parrot Swing y tu Parrot Flypad.

Para eso:

Conéctate a la App Store® o a Google Play™ y descarga la aplicación gratuita FreeFlight Mini.



INFORMACIÓN GENERAL

PRECAUCIONES DE USO Y MANTENIMIENTO

PARROT FLYPAD

Parrot Flypad sirve para pilotar un Parrot Swing. No es un dispositivo apto para menores de 14 años.

Consulta la lista de drones compatibles con Parrot Flypad en la sección «Soporte» en www.parrot.com.

Utiliza únicamente los accesorios especificados por Parrot Drones, SAS.

El Parrot Flypad podría dejar de funcionar correctamente y de forma irreversible si le entrara polvo o arena.

No expongas el Parrot Flypad a la lluvia o de forma prolongada al sol.

No utilices este aparato cerca de sustancias líquidas.

Riesgo de ingestión de elementos pequeños. El embalaje no forma parte del producto y se debe tirar a la basura como medida de precaución.

PARROT SWING

Parrot Swing no es apto para menores de 14 años.

Parrot Swing es un aeromodelo diseñado para fines recreativos y de ocio. El piloto debe mantener el contacto visual en todo momento con el Parrot Swing y controlar su trayectoria. El Parrot Swing debe utilizarse de conformidad con las normas de aviación civil del país en donde se utilice. Los lugares de utilización tienen que ser adaptados a su evolución para velar en todo momento por la seguridad de las personas, los animales y los bienes. La utilización del Parrot Swing en determinados lugares de dominio público (por ejemplo, estaciones, aeropuertos...) o en la vía pública podría no estar autorizada.

Durante el vuelo, las hélices del Parrot Swing pueden provocar daños a personas, animales u objetos. Mantén siempre una distancia de seguridad con el Parrot Swing. No se debe tocar el Parrot Swing durante el vuelo. Hay que esperar a que las hélices se detengan por completo antes de manipular el Parrot Swing. Utiliza únicamente los accesorios especificados por Parrot Drones, SAS.

El Parrot Swing podría dejar de funcionar correctamente y de forma irreversible si le entrara polvo o arena.

No utilices el Parrot Swing en condiciones meteorológicas adversas (lluvia, viento fuerte o nieve) o cuando las condiciones de visibilidad no sean suficientes (de noche).

Mantén el Parrot Swing alejado de las líneas de alta tensión, edificios o cualquier otra zona potencialmente peligrosa.

No utilices este aparato cerca de sustancias líquidas. No poses el Parrot Swing sobre el agua ni sobre superficies húmedas, porque podría sufrir daños irreversibles.

No dejes el Parrot Swing al sol.

ADVERTENCIA SOBRE EL RESPETO DE LA VIDA PRIVADA Y EL RESPETO DE LA IMAGEN DE LOS BIENES

Grabar y difundir imágenes de una persona sin su autorización puede constituir un delito contra la vida privada y ser susceptible de comprometer la responsabilidad del usuario del dron. Hay que pedir permiso antes de grabar a perso-

nas, sobre todo cuando se pretende conservar esas grabaciones o publicarlas. No se deben difundir imágenes denigrantes o que puedan afectar a la reputación o la dignidad de una persona.

Grabar y difundir la imagen de un bien sin la autorización de su propietario o de un tercero que disponga de los derechos de propiedad intelectual sobre ese bien puede constituir un delito contra el derecho a la imagen del bien y ser susceptible de comprometer la responsabilidad del usuario. Solicita autorización a su propietario o a quien posea los derechos de propiedad.

RECICLAJE DEL PRODUCTO



Este símbolo en el producto o su documentación indica que, al final de su vida útil, no debe desecharse con los residuos domésticos. Dado que la eliminación no controlada de desechos puede perjudicar el medioambiente o la salud de los seres humanos, hay que separarlo de los otros residuos y reciclarlo de manera responsable. De este modo, se contribuye al reaprovechamiento sostenible de los recursos materiales. Ponte en contacto con la tienda o solicita información en tu ayuntamiento para saber cómo y dónde se puede reciclar el Parrot Flypad.

GARANTÍA

Para informarse sobre las condiciones de garantía, remítase a las Condiciones generales de venta del distribuidor a quien compró el Parrot Flypad/Parrot Swing.

DECLARACIÓN DE CONFORMIDAD (PARROT FLYPAD)

PARROT DRONES, sito en 174, quai de Jemmapes, 75010 París (Francia), declara bajo su única responsabilidad que el producto descrito en el presente manual del usuario cumple con las normas técnicas EN 301489-17, EN300328, EN71-1, EN71-2, EN71-3, EN62115 y EN62321 (1-7), de conformidad con las disposiciones de la directiva 1999/5/CE sobre equipos radioeléctricos, la directiva 2001/95/CE relativa a la seguridad general de productos y la directiva 2011/65/UE sobre restricciones a la utilización de sustancias peligrosas en aparatos electrónicos. <http://www.parrot.com/uk/ce/?parrot-flypad>

DECLARACIÓN DE CONFORMIDAD (PARROT SWING)

PARROT DRONES, sito en 174, quai de Jemmapes, 75010 París (Francia), declara bajo su única responsabilidad que el producto descrito en el presente manual del usuario cumple con las normas técnicas EN 301489-17, EN300328, EN71-1, EN71-2 y EN62115, de conformidad con las disposiciones de la directiva R&TTE 1999/5/CE y la directiva 2001/95/CE relativa a la seguridad general de productos. La declaración de conformidad está disponible en la siguiente dirección: <http://www.parrot.com/uk/ce/?parrot-swing>

FCC/IC

Para responder a las exigencias relativas a la exposición RF de la FCC/IC para los aparatos de transmisión, debe mantenerse una distancia de al menos 20 cm entre la antena del producto y las personas. Para garantizar la conformidad, no se recomienda el uso a una distancia inferior.

BATERÍA

ADVERTENCIA: El incumplimiento de estas instrucciones puede provocar lesiones graves, dañar la batería de manera irreversible y provocar un incendio, emanación de humo o explosión.

Recuerda comprobar siempre el estado de la batería antes de cargarla o utilizarla. Hay que cambiar la batería si sufre algún golpe o en casos de malos olores, sobrecalentamiento, decoloración, deformación o fuga. No se debe utilizar nunca un cargador que no esté aprobado LiPo para cargar la batería. Hay que utilizar un cargador con equilibrador de células LiPo o un equilibrador de células LiPo. Se recomienda utilizar únicamente el cargador suministrado con el producto. No se debe efectuar la carga a régimen lento, por debajo de los 2,5 V por célula. La temperatura de la batería no debe superar nunca los 60 °C (140 °F) para evitar que se estropee o se inflame. No se debe cargar nunca la batería sobre un soporte inflamable ni cerca de productos inflamables o en el interior de un vehículo (se recomienda colocar la batería en un recipiente no inflamable y no conductor). No dejar nunca la batería sin supervisión durante el proceso de carga. No se debe desmontar ni modificar nunca el cableado de la caja ni perforar las células. Conviene comprobar siempre que la tensión de salida del cargador se corresponda con la tensión de la batería. No poner nunca las baterías en cortocircuito. No exponer nunca la batería LiPo a la humedad ni directamente al sol, ni tampoco en un lugar donde la temperatura pueda superar los 60 °C (un coche a pleno sol, por ejemplo). Mantener siempre alejada del alcance de los niños.



Los bornes de la batería no deben ser cortocircuitados. El producto sólo debe ser conectado a un equipo de Clase II que lleve el símbolo correspondiente.

MARCAS

Parrot Flypad, Parrot Swing y sus logotipos respectivos son marcas de Parrot Drones, SAS.

Parrot y los logotipos de Parrot son marcas que pertenecen a Parrot, S. A.

App Store es una marca de servicio de Apple Inc

Google Play es una marca de Google Inc.

El nombre y el logotipo de **Bluetooth**[®] son marcas registradas de Bluetooth SIG, Inc. cuya utilización por parte de Parrot Drones SAS cuenta con la licencia correspondiente.

Todas las marcas mencionadas en esta guía son propiedad de sus respectivos dueños.

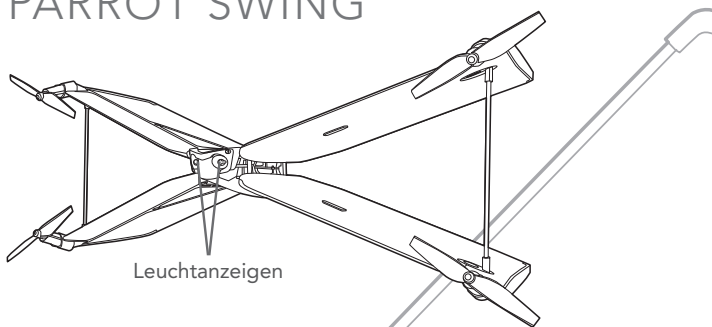
INFORMACIÓN DEL FABRICANTE

Parrot Flypad/Parrot Swing está fabricado por: PARROT DRONES, SAS, 174, quai de Jemmapes; 75010 París (Francia). Inscrita en el Registro mercantil de París con el n.º 808 408 074

www.parrot.com



ÜBERSICHT ÜBER DIE PARROT SWING



LED-Ladeanzeige

Zunge

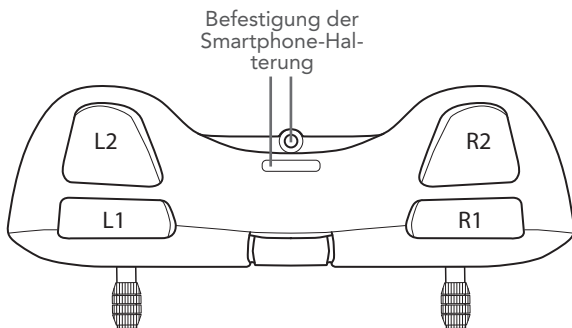
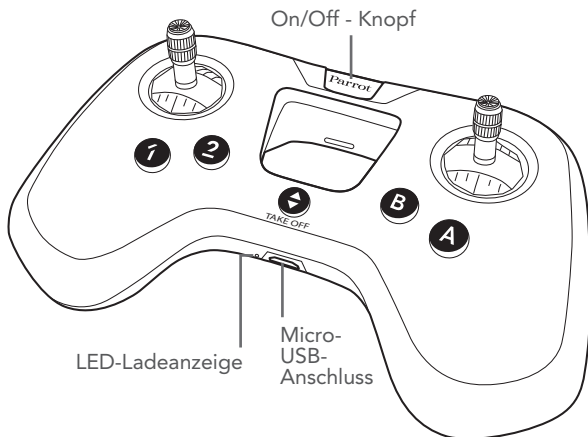
Batteriefach

On/Off - Knopf

Micro-USB-Anschluss

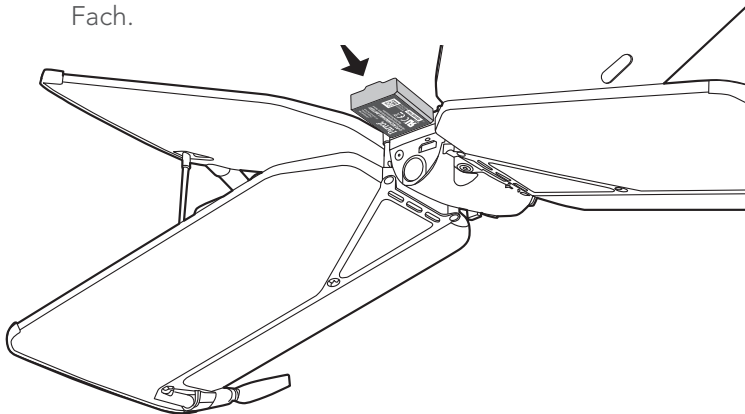
Kamera

ÜBERSICHT ÜBER DEN PARROT FLYPAD

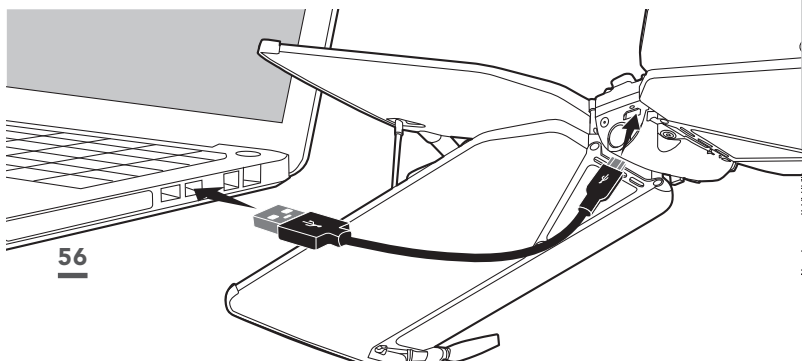


PARROT SWING: LADEN DES AKKUS

1. Legen Sie den Akku in das dafür vorgesehene Fach.



2. Verbinden Sie die Parrot Swing über das Micro-USB-Kabel mit einem Computer oder einem USB-Power-Adapter.



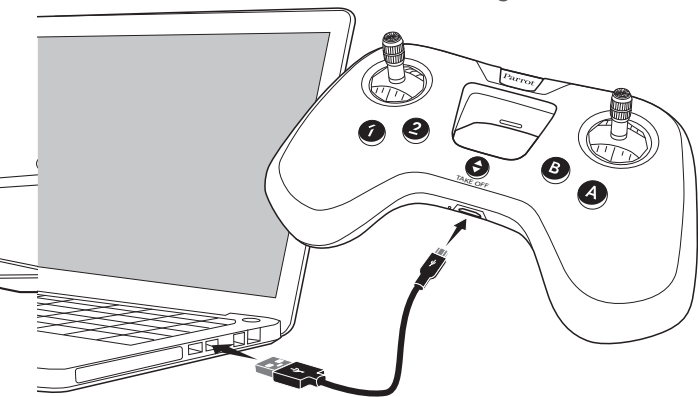
Die LED-Ladeanzeige leuchtet während des Ladevorgangs dauerhaft rot.

Die Ladezeit beträgt mit einem 2,1A-Ladegerät etwa 30 Minuten. Wenn der Ladevorgang beendet ist, leuchtet die LED-Ladeanzeige grün.

Um den Akku herauszunehmen, heben Sie die Zunge an und schieben Sie den Akku nach hinten.

PARROT FLYPAD: LADEN DES AKKUS

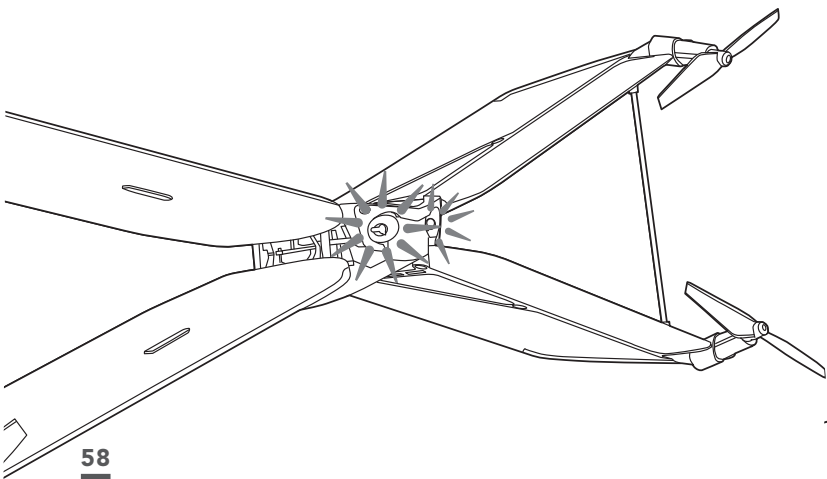
1. Schließen Sie das Micro-USB-Kabel an den Micro-USB-Anschluss des Parrot Flypad an.
2. Verbinden Sie den USB-Anschluss mit einem Computer oder einem USB-Netzteil.
 - Die LED-Ladeanzeige leuchtet rot: der Ladevorgang läuft. Wenn der Ladevorgang beendet ist, leuchtet die LED grün.



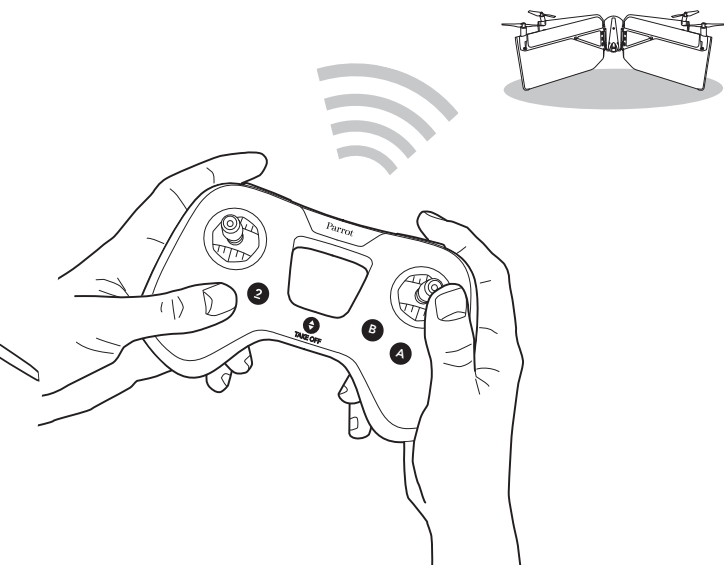
Die Ladezeit beträgt ca. 2 Stunden. Wenn das Aufladen beendet ist, hat das Parrot Flypad eine Autonomie von etwa 6 Stunden.

VERBINDEN DES PARROT FLYPAD MIT IHRER DROHNE

- 1.** Legen Sie den Akku in das dafür vorgesehene Fach oder drücken Sie den On/Off-Knopf.
➤ Die Parrot Swing schaltet sich ein.
- 2.** Stellen Sie die Parrot Swing auf eine flache Oberfläche, die Propeller zeigen nach oben.

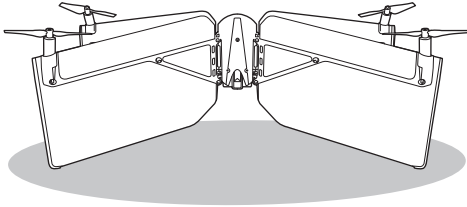



3. Warten Sie, bis die Leuchtanzeigen grün werden.
4. Drücken Sie auf den On/Off-Knopf des Parrot Flypad.
 - Die Leuchtanzeige des Parrot Flypad blinkt grün, und wenn die Verbindung aufgebaut ist, leuchtet sie dann dauerhaft grün.




STARTEN

1. Stellen Sie die Parrot Swing auf eine flache Oberfläche, die Propeller zeigen nach oben.



2. Drücken Sie auf .
 - > Die Parrot Swing hebt ab, stabilisiert sich 1 Meter über dem Boden und wartet auf Steuerungsbefehle.

LANDEN

Zur Landung der Parrot Swing drücken Sie auf den Knopf .

- > Die Parrot Swing landet.

STEUERN

LINKER JOYSTICK





Nach oben





Nach unten





 Vierteldrehung
nach links
 Nach links
schwenken




 Vierteldrehung
nach rechts
 Nach rechts
schwenken

RECHTER JOYSTICK





 Accelerate
 Vorwärts





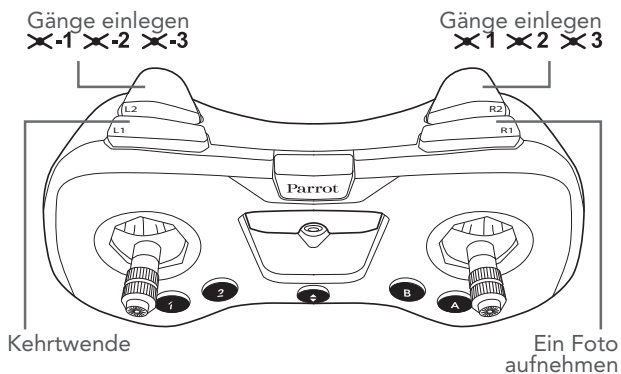
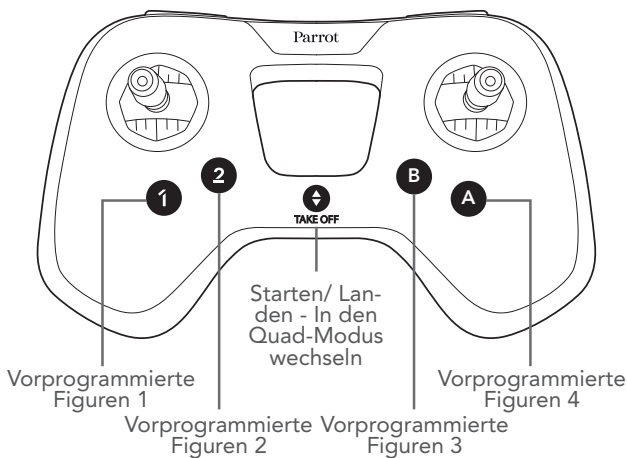
 Slow down
 Rückwärts



 Nach links
schwenken
 Nach links
fliegen



 Nach rechts
schwenken
 Nach rechts
fliegen



Das ist die Standard-Konfiguration. Ändern Sie die Befehle des Parrot Flypad entsprechend Ihrer individuellen Wünsche (siehe Knöpfe konfigurieren).

VERHALTEN DER LEUCHTANZEIGEN

PARROT SWING

Dauerhaft orange	Die Parrot Swing startet gerade. > Stellen Sie Ihre Drohne Parrot auf eine flache Oberfläche, die Propeller zeigen nach oben.
Dauerhaft grün	Die Parrot Swing ist bereit zur Nutzung.
Dauerhaft grün	Der Akku der Parrot Swing ist schwach. > Laden Sie den Akku auf.
Dauerhaft rot	Die Parrot Swing hat ein Problem erkannt. > Vergewissern Sie sich, dass auf Ihrem Smartphone Bluetooth® aktiviert ist. Wenn das Problem weiterhin besteht, gehen Sie bitte auf www.parrot.com

PARROT FLYPAD

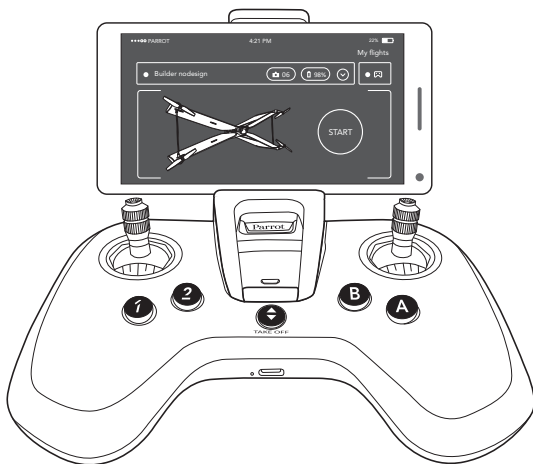
Dauerhaft grün	Der Parrot Flypad ist mit der Drohne Parrot oder mit Ihrem Smartphone verbunden.
Grünes Blinken	Der Parrot Flypad wartet auf Verbindung.
Rotes Blinken	Der Parrot Flypad wartet auf Verbindung, aber sein Akku ist schwach. > Laden Sie den Akku des Parrot Flypad auf.
Dauerhaft rot	Der Parrot FlyPad ist mit Ihrem Smartphone oder Ihrer Drohne Parrot verbunden, aber sein Akku ist schwach. > Laden Sie den Akku Ihres Parrot Flypad auf.
Dauerhaft rote Anzeige und Vibrieren des Parrot Flypad	Der Parrot Flypad ist mit Ihrem Smartphone oder Ihrer Drohne Parrot verbunden, aber der Akku der Drohne Parrot ist schwach. > Laden Sie den Akku Ihrer Drohne Parrot auf.

FREEFLIGHT MINI

Sie können die Einstellungen Ihrer Parrot Swing und Ihres Parrot Flypad konfigurieren.

Dazu:

Verbinden Sie sich mit dem App Store® oder Google Play™ und laden Sie die kostenlose App FreeFlight Pro herunter.



ALLGEMEINE INFORMATIONEN

VORSICHTSMASSNAHMEN UND WARTUNG

PARROT FLYPAD

Der Parrot Flypad ist zur Steuerung der Parrot Swing vorgesehen und ist für Kinder unter 14 Jahren nicht geeignet.

Lesen Sie die Liste der mit dem Parrot Flypad kompatiblen Drohnen im Abschnitt Support auf www.parrot.com.

Verwenden Sie ausschließlich das von Parrot Drones SAS angegebene Zubehör. Wenn Sand oder Staub in den Parrot Flypad eindringen, kann es sein, dass dieser unwiderruflich nicht mehr ordnungsgemäß funktioniert.

Verwenden Sie den Parrot Flypad nicht bei Regen und setzen Sie ihn nicht lange der Sonne aus.

Verwenden Sie dieses Gerät nicht in der Nähe flüssiger Substanzen.

Gefahr des Verschluckens von Kleinteilen. Die Verpackungen sind nicht Bestandteil des Produkts und müssen aus Sicherheitsgründen entsorgt werden.

PARROT SWING

Die Parrot Swing ist für Kinder unter 14 Jahren nicht geeignet.

Die Parrot Swing ist ein Modellflugzeug, das zu Erholungs- und Freizeit Zwecken entworfen wurde. Die Person, die sie steuert, muss die Parrot Swing zu jedem Zeitpunkt im Auge behalten und ihre Flugbahn überwachen. Die Parrot Swing muss unter Beachtung der Regeln der Zivilluftfahrt Ihres Landes verwendet werden. Sie darf nur in dafür geeigneten Bereichen eingesetzt werden, um jederzeit die Sicherheit von Personen, Tieren und Gegenständen zu gewährleisten. Die Nutzung der Parrot Swing ist möglicherweise in bestimmten öffentlichen Bereichen (z.B.: Bahnhof, Flughäfen, ...) oder auf öffentlichen Straßen nicht erlaubt.

Die Propeller der Parrot Swing können beim Flug Personen, Tieren oder Gegenständen Schäden zufügen. Halten Sie immer einen ausreichenden Sicherheitsabstand zur

Parrot Swing. Berühren Sie die Parrot Swing nicht während des Fluges. Warten Sie, bis die Propeller komplett stillstehen, bevor Sie die Parrot Swing berühren. Verwenden Sie ausschließlich das von Parrot Drones SAS vorgegebene Zubehör.

Wenn Sand oder Staub in die Parrot Swing eindringen, kann es sein, dass sie unwiderruflich nicht mehr ordnungsgemäß funktioniert.

Verwenden Sie die Parrot Swing nicht bei ungünstigen Witterungsbedingungen (Regen, Sturm, Schnee) oder bei unzureichenden Sichtbedingungen (Nacht).

Halten Sie die Parrot Swing von Hochspannungsleitungen, Gebäuden oder sonstigen potentiell gefährlichen Bereichen fern.

Verwenden Sie dieses Gerät nicht in der Nähe von flüssigen Substanzen. Legen Sie die Parrot Swing nicht in Wasser oder auf feuchte Oberflächen, dies könnte zu unwiderruflichen Schäden führen.

Lassen Sie die Parrot Swing nicht in der Sonne stehen.

WARNUNG ZUM SCHUTZ DER PRIVATSPHÄRE UND WAHRUNG DES RECHTS AM BILD EINER SACHE

Wenn Sie Bilder einer Person ohne deren Erlaubnis aufnehmen und verbreiten, kann dies deren Privatsphäre verletzen, wofür Sie verantwortlich gemacht werden können. Bevor Sie Personen filmen, fragen Sie diese nach ihrer Erlaubnis, insbesondere, wenn Sie die Aufnahmen behalten und/ oder verbreiten möchten. Verbreiten Sie keine entwürdigenden Bilder oder solche, die dem Ruf oder der Würde einer Person schaden könnten.

Die Aufnahme und Verbreitung des Bildes einer Sache ohne die Erlaubnis ihres Eigentümers und/ oder einer dritten Person, welche die Rechte geistigen Eigentums dieser Sache besitzt, kann die Verletzung des Rechts am Bild der Sache darstellen, wofür Sie verantwortlich gemacht werden können. Fragen Sie ihren Eigentümer und/ oder dritte Personen, die das Eigentumsrecht besitzen, um Erlaubnis.

PRODUKT-ENTSORGUNG



Dieses Symbol auf dem Produkt bzw. die Produktunterlagen weisen darauf hin, dass es nach Ende der Nutzungsdauer nicht mit den anderen Haushaltsabfällen entsorgt werden darf. Da die unkontrollierte Entsorgung von Abfällen der Umwelt oder der menschlichen Gesundheit schaden kann, trennen Sie diese bitte von anderen Abfällen und führen Sie sie dem Recycling zu. Auf diese Weise fördern Sie die nachhaltige Wiederverwendung der Materialressourcen. Wir bitten Sie, sich an Ihren Händler zu wenden oder sich bei Ihrer Gemeindeverwaltung zu erkundigen, um zu erfahren, wo und wie der Parrot Flypad/Parrot Swing recycelt werden kann.

GARANTIE

Die Garantiebedingungen finden Sie in den allgemeinen Verkaufsbedingungen des Händlers, bei dem Sie den Parrot Flypad/Parrot Swing gekauft haben.

KONFORMITÄTSERKLÄRUNG (PARROT FLYPAD)

Parrot Drones SAS, 174 quai de Jemmapes, 75010 Paris, Frankreich, erklärt auf eigene Verantwortung, dass das in der vorliegenden Gebrauchsanweisung beschriebene Produkt den folgenden technischen Normen entspricht: EN 301489-17, EN300328, EN71-1, EN71-2, EN71-3, EN62115, EN62321 (1-7) gemäß den Bestimmungen der Richtlinie R&TTE 1999/5/EG und der Richtlinie über allgemeine Produktsicherheit 2001/95/EG, Richtlinie RoHS 2011/65/EU.
<http://www.parrot.com/uk/ce/?parrot-flypad>

KONFORMITÄTSERKLÄRUNG (PARROT SWING)

Parrot Drones SAS, 174 quai de Jemmapes, 75010 Paris, Frankreich, erklärt auf eigene Verantwortung, dass das in der vorliegenden Gebrauchsanweisung beschriebene Produkt den folgenden technischen Normen entspricht: EN 301489-17, EN300328, EN71-1, EN71-2, EN62115 gemäß den Bestimmungen der Richtlinie R&TTE 1999/5/CE und der Richtlinie über allgemeine Produktsicherheit 2001/95/EG. Die Konformitätserklärung ist unter folgender Adresse verfügbar: <http://www.parrot.com/uk/ce/?parrot-swing>

FCC/IC

Um den Ansprüchen der Belastungsrichtlinien FCC/IC RF für Übertragungsgeräte zu entsprechen, muss ein Mindestabstand von 20 cm zwischen der Antenne des Produkts und Personen eingehalten werden. Zur Wahrung der Konformität wird von einer Verwendung mit einer geringeren Entfernung abgeraten.

AKKU

VORSICHT: Die Nichtbeachtung der Anweisungen kann schwere Verletzungen zur Folge haben, den Akku unwiderruflich beschädigen und einen Brand auslösen, Rauchentwicklung oder eine Explosion verursachen.

Den Zustand des Akkus immer kontrollieren, bevor er geladen oder verwendet wird. Den Akku austauschen, wenn er heruntergefallen ist, ungewöhnlich riecht, sich überhitzt, verfärbt oder verformt ist bzw. ausläuft. Verwenden Sie immer einen für LiPo-Akkus zugelassenes Ladegerät. Verwenden Sie immer ein Ladegerät mit Ausgleichsregler für LiPo-Zellen oder einen LiPo-Zellenbalancer. Es wird empfohlen, nur das mit dem Gerät gelieferte Ladegerät zu verwenden. Führen Sie niemals Ladungen im langsamen Vorgang bzw. unter 2,5 V pro Zelle durch. Die Temperatur des Akkus darf keinesfalls 60°C (140°F) übersteigen, andernfalls könnte der Akku beschädigt werden oder Feuer fangen. Führen Sie die Ladung niemals auf einer brennbaren Fläche, in der Nähe von brennbaren Stoffen oder in einem Fahrzeug durch (legen Sie den Akku vorzugsweise in einen nicht brennbaren und nichtleitenden Behälter). Lassen Sie den Akku während des Ladevorgangs niemals unbeaufsichtigt. Nehmen Sie die Gehäuseverkabellung niemals auseinander, und verändern Sie sie auch nicht. Beschädigen Sie die Zellen nicht. Stellen Sie immer sicher, dass die Ausgangsspannung des Ladegeräts mit der Spannung des Akkus übereinstimmt. Die Akkus dürfen keinen Kurzschluss erleiden. Setzen Sie den LiPo-Akku nie Feuchtigkeit oder direkter Sonneneinstrahlung aus, und legen Sie ihn nicht an eine Stelle, wo die Temperatur 60°C überschreiten kann (z.B. Auto in praller Sonne). Immer außerhalb der Reichweite von Kindern aufbewahren.



Die Pole des Akkus dürfen keinen Kurzschluss erleiden. Das Produkt darf ausschließlich an Material der Klasse II angeschlossen werden, welches das links abgebildete Symbol trägt.

MARKEN

Parrot Flypad, Parrot Swing sowie ihre jeweiligen Logos sind Marken der Parrot Drones SAS.

Parrot und die Parrot Logos sind eingetragene Markenzeichen der Parrot S.A. App Store ist eine Dienstleistungsmarke von Apple Inc.

Google Play ist eine Marke von Google Inc.

Der Name *Bluetooth*® und das dazugehörige Logo sind eingetragene Marken von Bluetooth SIG, Inc., und ihre Verwendung durch Parrot Drones SAS erfolgt unter Lizenz.

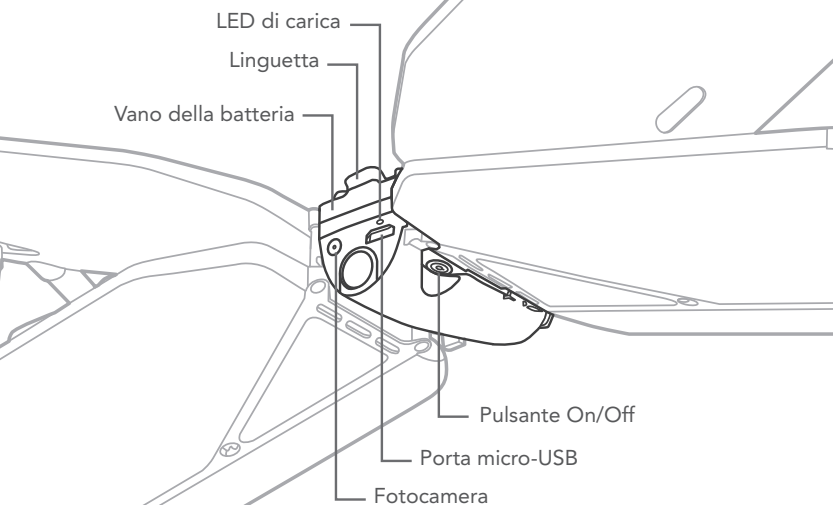
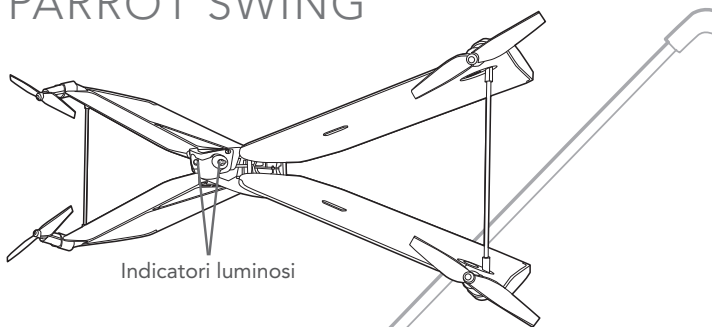
Alle anderen in diesem Handbuch erwähnten Marken sind Eigentum der jeweiligen Besitzer.

HERSTELLERINFORMATIONEN

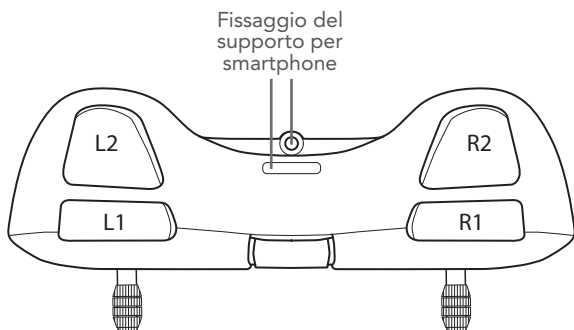
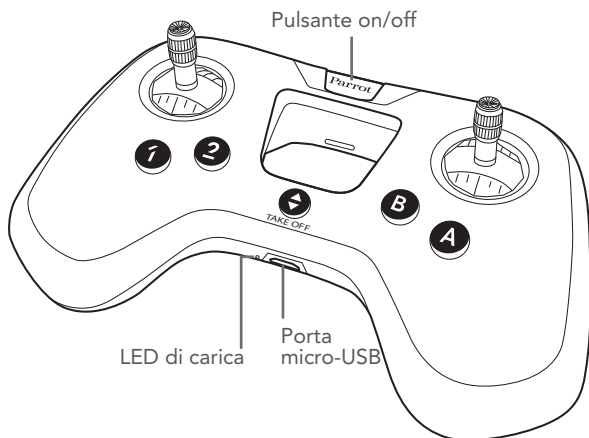
Der Parrot Flypad/Parrot Swing wird hergestellt von: PARROT DRONES SAS -
174 Quai de Jemmapes - 75010 Paris (Frankreich) - RCS Paris 808 408 074
www.parrot.com



PRESENTAZIONE DEL PARROT SWING

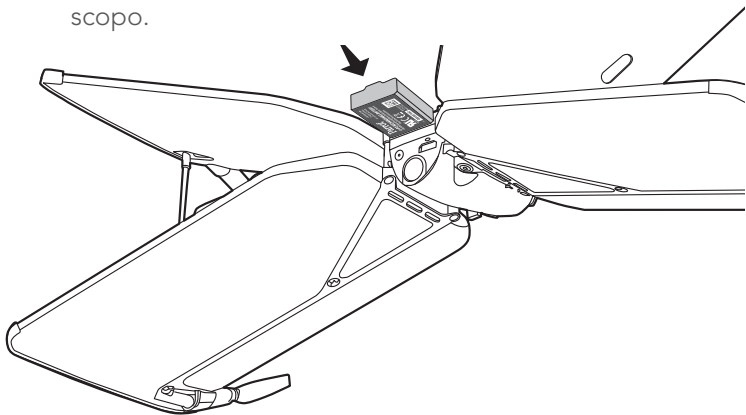


PRESENTAZIONE DEL PARROT FLYPAD

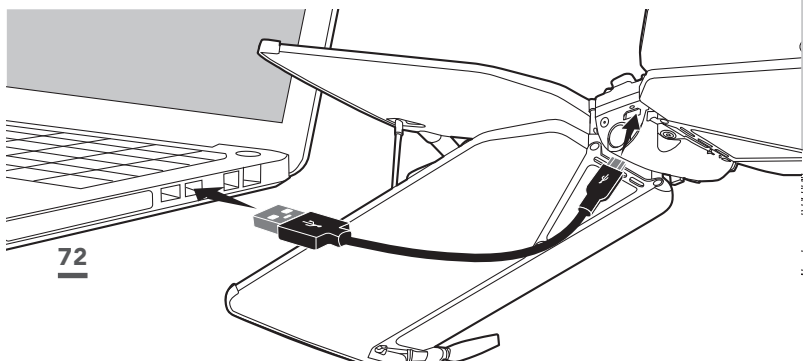


PARROT SWING: CARICARE LA BATTERIA

1. Inserisci la batteria nel vano previsto allo scopo.



2. Con il cavo micro-USB, collega il Parrot Swing a un computer o a un adattatore di rete USB.



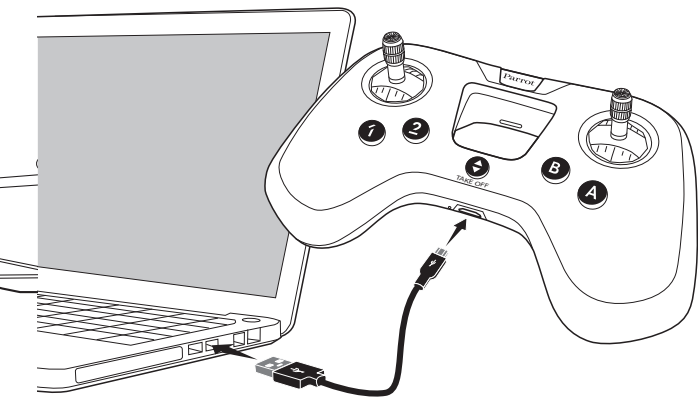
Il LED di carica è rosso fisso durante la ricarica.

Il tempo di ricarica è di circa 30 minuti con un caricatore 2,1A. Una volta che la ricarica è completa, il LED di carica diventa verde.

Per rimuovere la batteria, solleva la linguetta e fai scorrere la batteria all'indietro.

PARROT FLYPAD: CARICARE LA BATTERIA

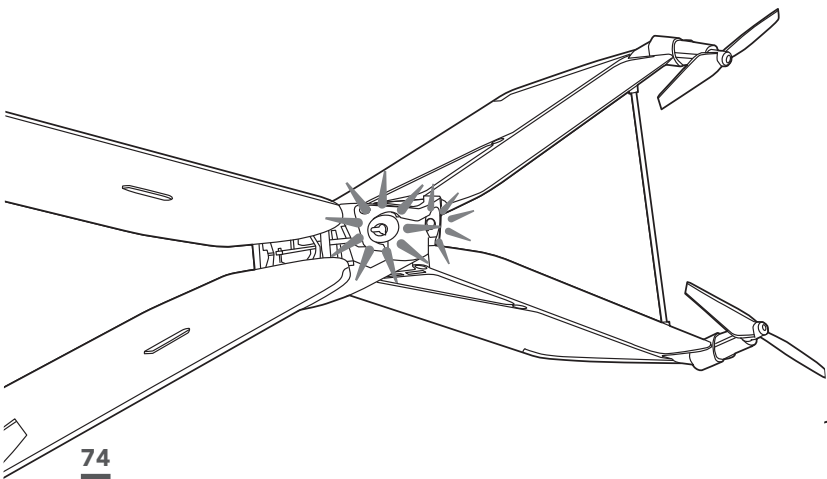
1. Collega il cavo micro-USB alla porta micro-USB del Parrot Flypad.
2. Collega la porta USB a un computer o a un adattatore di rete USB.
 - Il LED di carica è di colore rosso per indicare che la carica è in corso. Terminata la carica, il LED diventa verde.



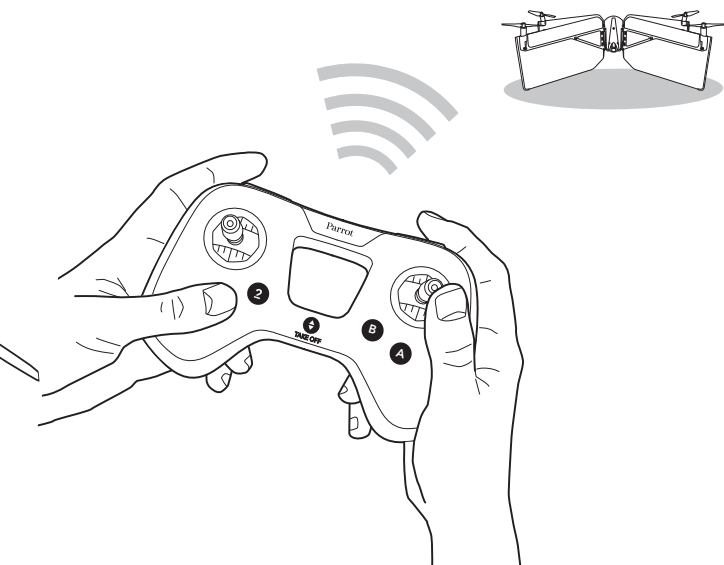
Il tempo di ricarica è di circa 2 ore. Una volta caricato, il Parrot Flypad ha un'autonomia di circa 6 ore.

COLLEGARE IL PARROT FLYPAD AL PARROT SWING

- 1.** Inserisci la batteria nel vano previsto allo scopo o premi il pulsante On/Off.
➤ Il Parrot Swing si accende.
- 2.** Posa il Parrot Swing su una superficie piana, con le eliche verso l'alto.

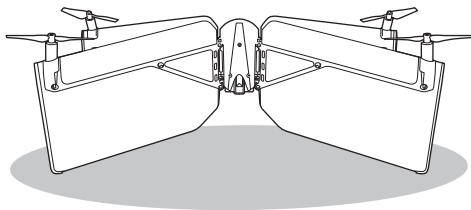



3. Attendi che gli indicatori luminosi diventino di colore verde.
4. Premi il pulsante On/Off del Parrot Flypad.
 - L'indicatore luminoso del Parrot Flypad lampeggia in verde, poi diventa verde fisso quando viene stabilita la connessione.




DECOLLARE

1. Posa il Parrot Swing su una superficie piana, con le eliche verso l'alto.



2. Premi .
> Il Parrot Swing decolla e si stabilizza a 1 metro dal suolo in attesa di comandi.

ATTERRARE

- Per far atterrare il Parrot Swing, premi il pulsante .
- > Il Parrot Swing atterra.

PILOTARE

COMANDO SINISTRO




Salire




Scendere





 Quarto di giro verso sinistra
Girare a sinistra





 Quarto di giro verso destra
Girare a destra

COMANDO DESTRO



 Accelerare
 Avanzare



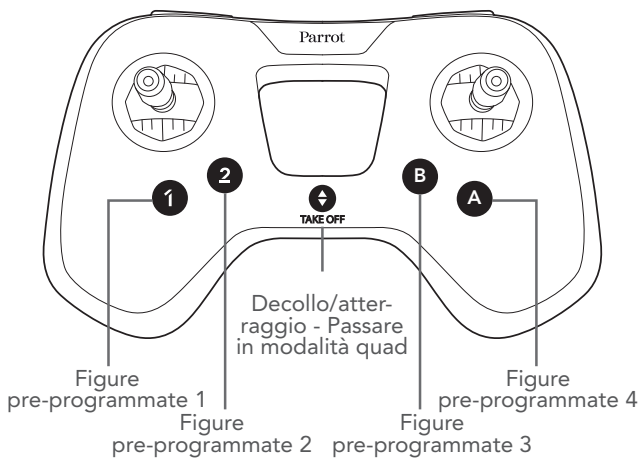
 Rallentare
 Indietreggiare



 Spostarsi a sinistra
Girare a sinistra

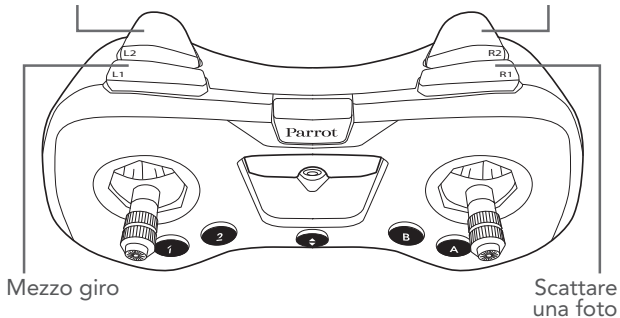


 Spostarsi a destra
Girare a destra



Azionare le velocità
 X-1 X-2 X-3

Azionare le velocità
 X1 X2 X3



Questa configurazione è la configurazione predefinita. Modifica e personalizza i comandi del Parrot Flypad (vedere Configurare i pulsanti).

COMPORTAMENTO DEGLI INDICATORI LUMINOSI

PARROT SWING

Arancio fisso	Il Parrot Swing si sta avviando. > Posa il Parrot Swing su una superficie piana, con le eliche verso l'alto.
Verde fisso	Il Parrot Swing è pronto per l'uso.
Rosso lampeggiante	La batteria del Parrot Swing è scarica. > Carica la batteria.
Rosso fisso	Il Parrot Swing ha rilevato un problema. > Assicurati che il Bluetooth® sia attivato sul tuo smartphone. Se il problema persiste, visita www.parrot.com.

PARROT FLYPAD

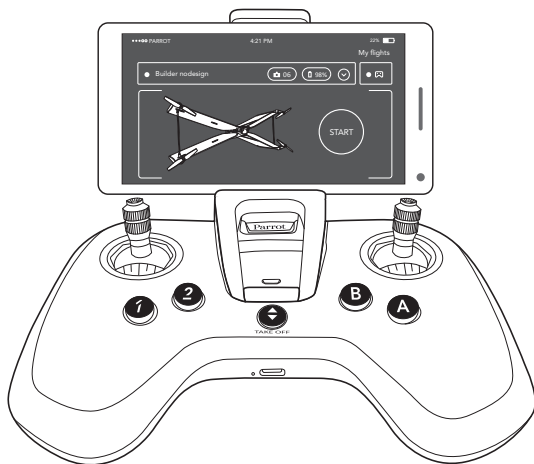
Verde fisso	Il Parrot Flypad è connesso al Parrot Swing o allo smartphone.
Lampeggia in verde	Il Parrot Flypad è in attesa di connessione.
Lampeggia in rosso	Il Parrot Flypad è in attesa di connessione, ma la sua batteria è scarica. > Ricarica la batteria del Parrot Flypad.
Rosso fisso	Il Parrot Flypad è connesso allo smartphone o al Parrot Swing, ma la sua batteria è scarica. > Ricarica la batteria del Parrot Flypad.
Rosso fisso e vibrazioni del Parrot Flypad	Il Parrot Flypad è connesso allo smartphone o al Parrot Swing, ma la batteria del Parrot Swing è scarica. > Ricarica la batteria del Parrot Swing.

FREEFLIGHT MINI

Puoi configurare le impostazioni del tuo Parrot Swing e del tuo Parrot Flypad.

Per fare questo:

Accedi ad App Store® o Google Play™ e scarica gratuitamente l'applicazione FreeFlight Mini.



INFORMAZIONI GENERALI

PRECAUZIONI D'USO E MANUTENZIONE

PARROT FLYPAD

Il Parrot Flypad è destinato a pilotare il Parrot Swing e non è adatto a bambini sotto i 14 anni.

Consulta la lista dei dreni compatibili con il Parrot Flypad nella sezione Supporto su www.parrot.com.

Usa esclusivamente gli accessori specificati da Parrot Drones SAS.

Se sabbia o polvere penetrano nel Parrot Flypad, questo potrebbe non funzionare più correttamente in modo irreversibile.

Non esporre il Parrot Flypad sotto la pioggia o al sole in modo prolungato.

Non utilizzare questo apparecchio vicino a sostanze liquide.

Rischio di ingestione di piccoli elementi. Gli imballaggi non fanno parte del prodotto e devono essere eliminati come misura di sicurezza.

PARROT SWING

Il Parrot Swing non è adatto a bambini sotto i 14 anni.

Il Parrot Swing è un aeromodello progettato per la ricreazione e il tempo libero.

Il pilota deve, in ogni momento, mantenere il contatto visivo con il Parrot Swing e controllare la sua traiettoria. Il Parrot Swing deve essere utilizzato nel rispetto delle regole dell'aviazione civile del proprio paese. I luoghi di impiego devono essere adatti alla sua evoluzione per garantire costantemente la sicurezza di persone, animali e cose. L'utilizzo del Parrot Swing in alcuni luoghi di pubblico dominio (ad esempio: stazione, aeroporti...) o su strada pubblica può non essere consentito.

Le eliche del Parrot Swing in volo possono causare danni a persone, animali o cose. Mantieni sempre una distanza di sicurezza dal

Parrot Swing. Non toccare il Parrot Swing in volo. Attendi che le eliche si siano fermate del tutto prima di maneggiare il Parrot Swing.

Usa esclusivamente gli accessori specificati da Parrot Drones SAS.

Se sabbia o polvere penetrano nel Parrot Swing, questo potrebbe non funzionare più correttamente in modo irreversibile.

Non utilizzare il Parrot Swing in condizioni meteorologiche avverse (pioggia, vento forte, neve) o quando le condizioni di visibilità sono insufficienti (notte).

Tieni il Parrot Swing lontano da linee elettriche, edifici o altre zone potenzialmente pericolose.

Non utilizzare questo apparecchio vicino a sostanze liquide. Non posare il Parrot Swing sull'acqua o su una superficie umida, perché ciò potrebbe causare danni irreversibili.

Non lasciare il Parrot Swing al sole.

AVVERTENZA PER QUANTO RIGUARDA IL RISPETTO DELLA PRIVACY E IL RISPETTO DELL'IMMAGINE DEI BENI

Registrare e trasmettere l'immagine di una persona senza il suo consenso può costituire una violazione della sua privacy e può chiamare in causa la tua responsabilità. Chiedi il permesso prima di filmare le persone, soprattutto se de-

sideri conservare e/o pubblicare le registrazioni. Non pubblicare immagini degradanti o che possono danneggiare la reputazione o la dignità di una persona. Registrare e pubblicare l'immagine di un bene senza l'autorizzazione del suo proprietario e/o di terzi che dispongono di diritti di proprietà intellettuale sul bene può costituire una violazione del diritto all'immagine del bene e può chiamare in causa la tua responsabilità. Chiedi il permesso al suo proprietario e/o a terzi titolari del diritto di proprietà.

COME RICICLARE QUESTO PRODOTTO



Il simbolo sul prodotto o sulla sua documentazione indica che non deve essere smaltito a fine vita con i rifiuti domestici. Lo smaltimento incontrollato dei rifiuti può arrecare danni all'ambiente o alla salute umana, pertanto sei pregato di separare questo prodotto dagli altri tipi di rifiuti e di riciclarlo in maniera responsabile. In questo modo, promuoverai inoltre il riutilizzo sostenibile delle risorse materiali. Ti invitiamo a contattare il tuo rivenditore o a informarti presso il tuo Comune per scoprire dove e come poter riciclare il Parrot Flypad/Parrot Swing.

GARANZIA

Per conoscere le condizioni di garanzia, si prega di fare riferimento alle Condizioni generali di vendita del rivenditore presso il quale è stato acquistato il Parrot Flypad/Parrot Swing.

DICHIARAZIONE DI CONFORMITÀ (PARROT FLYPAD)

PARROT DRONES, 174 quai de Jemmapes, 75010 Parigi, Francia, dichiara sotto la sua unica responsabilità che il prodotto descritto in questo manuale utente è conforme alle norme tecniche, EN 301489-17, EN300328, EN71-1, EN71-2, EN71-3, EN62115, EN62321 (1-7), secondo le disposizioni della direttiva R&TTE 1999/5/CE e della direttiva di sicurezza generale dei prodotti 2001/95/CE, direttiva RoHS 2011/65/UE. <http://www.parrot.com/uk/ce/?parrot-flypad>

DICHIARAZIONE DI CONFORMITÀ (PARROT SWING)

PARROT DRONES, 174 quai de Jemmapes, 75010 Parigi, Francia, dichiara sotto la sua unica responsabilità che il prodotto descritto in questo manuale utente è conforme alle norme tecniche, EN 301489-17, EN300328, EN71-1, EN71-2, EN62115 secondo le disposizioni della direttiva R&TTE 1999/5/CE e della direttiva di sicurezza generale dei prodotti 2001/95/CE. La dichiarazione di conformità è disponibile al seguente indirizzo: <http://www.parrot.com/uk/ce/?parrot-swing>

FCC/IC

Per soddisfare i requisiti relativi all'esposizione RF della FCC/IC per I dispositivi di trasmissione, deve essere osservata una distanza di almeno 20 cm tra l'antenna del prodotto e le persone. Per garantire la conformità, l'utilizzo a una distanza inferiore non è raccomandato.

BATTERIA

ATTENZIONE: Il mancato rispetto di tutte le istruzioni può causare lesioni gravi, danneggiare in maniera irreversibile la batteria e provocare un incendio, fumo o un'esplosione.

Verifica sempre lo stato della batteria prima di caricarla o utilizzarla. Sostituisci la batteria se ha subito un urto o in caso di odore, surriscaldamento, scolorimento, deformazione o perdite. Non usare mai nulla per caricare la batteria ad eccezione di un caricatore approvato LiPo. Usa sempre un caricatore a bilanciamento di celle LiPo o un equilibratore di celle LiPo. Si raccomanda di non utilizzare un caricatore diverso da quello fornito con il prodotto. Non caricare a regime lento o al di sotto di 2,5V per cella. La temperatura della batteria non deve mai superare i 60 °C (140 °F) altrimenti la batteria potrebbe venire danneggiata o prendere fuoco. Non caricare mai su una superficie infiammabile, vicino a prodotti infiammabili o all'interno di un veicolo (posizione preferibilmente la batteria in un contenitore non infiammabile e non conduttivo). Non lasciare mai incustodita la batteria durante il processo di ricarica. Non smontare o modificare mai il cablaggio del guscio esterno e non forare le celle. Assicurati sempre che la tensione di uscita del caricatore corrisponda alla tensione della batteria. Non mettere le batterie in corto circuito. Non esporre mai la batteria LiPo all'umidità o alla luce solare diretta, o in un luogo dove le temperature possono superare i 60 °C (in auto in pieno sole, ad esempio). Tienila sempre fuori dalla portata dei bambini.



Non mettere in cortocircuito i morsetti della batteria. Il prodotto deve essere collegato esclusivamente al materiale di classe II che riporta il simbolo qui a fianco.

MARCHI

Parrot Flypad, Parrot Swing nonché i relativi loghi sono marchi di Parrot Drones SAS.

Parrot e i loghi Parrot sono marchi registrati di Parrot S.A.

App Store è un marchio di servizio di Apple Inc.

Google Play è un marchio di Google Inc.

Il nome e il logo **Bluetooth**® sono marchi registrati di Bluetooth SIG, Inc. e l'uso di tali marchi da parte di Parrot Drones SAS è concesso in licenza.

Tutti gli altri marchi citati in questa guida sono di proprietà dei rispettivi proprietari.

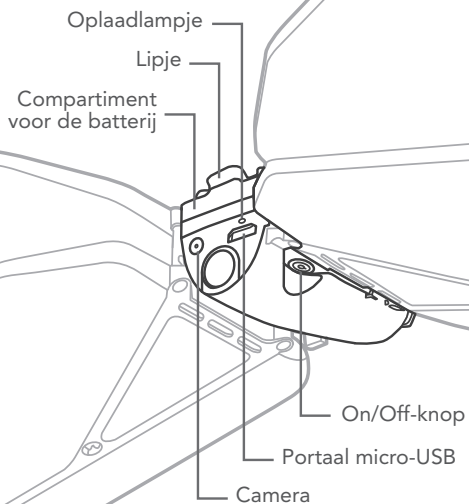
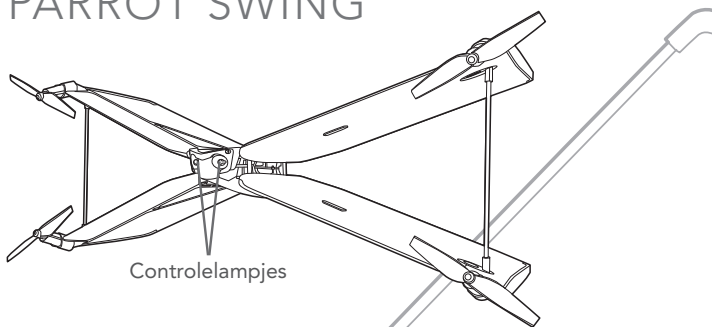
INFORMAZIONI SUL PRODUTTORE

Il Parrot Flypad/Parrot Swing è prodotto da: PARROT DRONES SAS - 174 Quai de Jemmapes - 75010 Parigi (Francia) - RCS Parigi 808 408 074

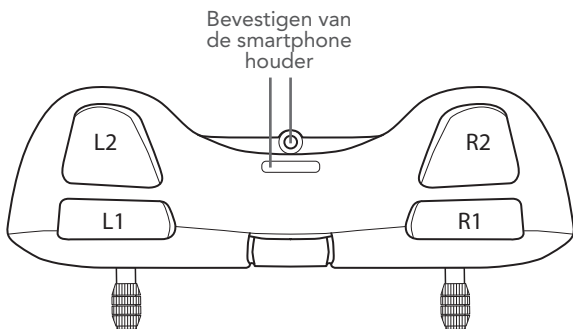
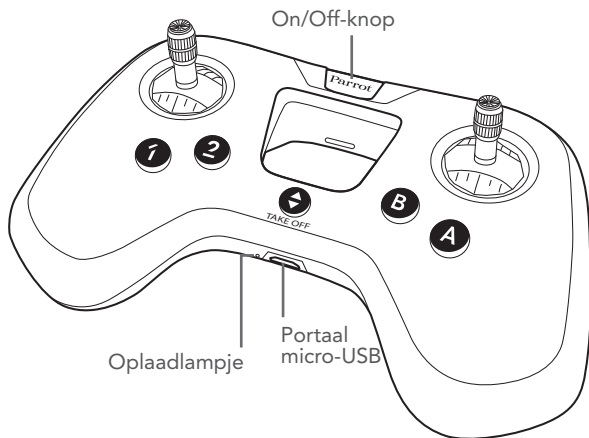
www.parrot.com



PRESENTATIE VAN DE PARROT SWING

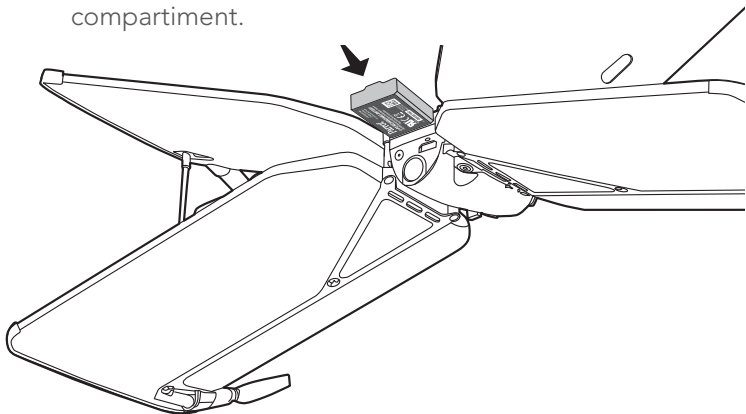


PRESENTATIE VAN DE PARROT FLYPAD

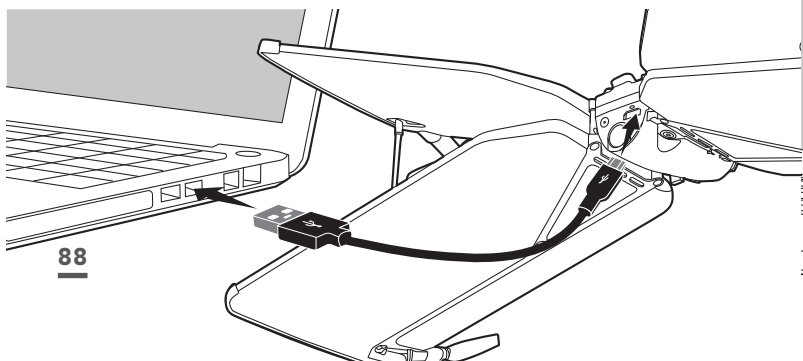


PARROT SWING: BATTERIJ OPLADEN

1. Plaats de batterij in het daarvoor voorzien compartiment.



2. Sluit de Parrot Swing aan op een computer of op een USB-adapter met de micro-USB kabel.



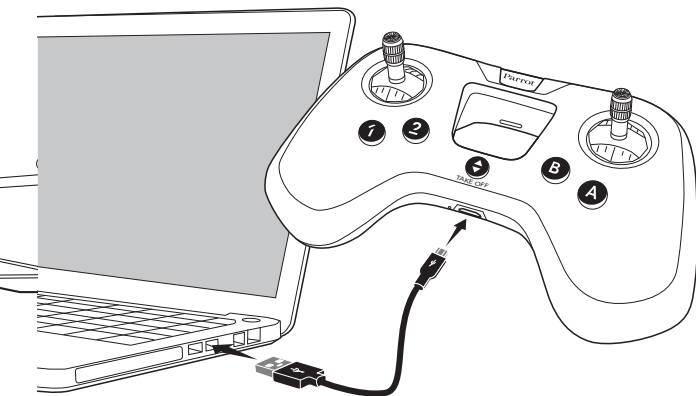
Het ledlampje is rood tijdens het opladen.

De laadtijd bedraagt ongeveer 30 minuten met een 2.1A oplader. Het ledlampje wordt groen als de batterij is opgeladen.

Om de batterij te verwijderen, trek aan het lipje en laat de batterij naar achteren glijden.

BATTERIJ OPLADEN

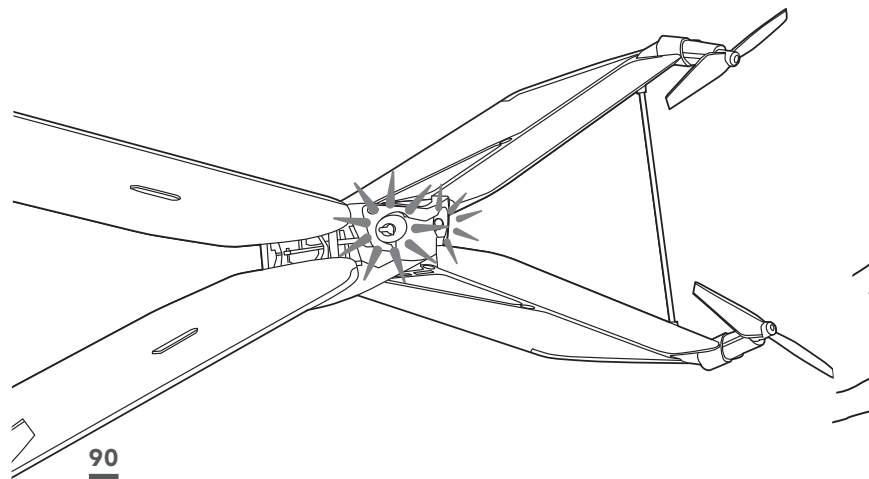
1. Sluit de micro-USB kabel aan op de micro-USB portal van de Parrot Flypad.
2. Sluit de USB-portal aan op een computer of op een USB-adapter.
 - Het ledlampje is rood tijdens het opladen. Het ledlampje wordt groen als de batterij is opgeladen.



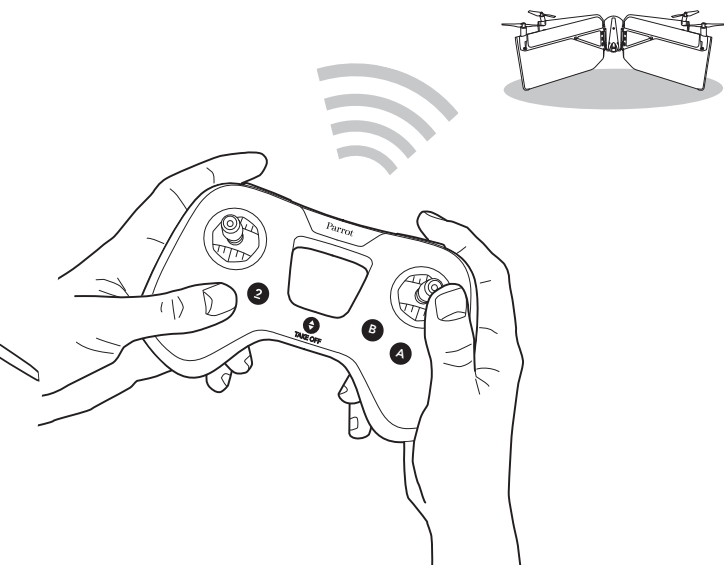
De laadtijd bedraagt ongeveer 2 uur. Als de Parrot Flypad compleet opgeladen is, heeft het een autonomie van 6 uur.

SLUIT DE PARROT FLYPAD AAN OP UW PARROT SWING

- 1.** Plaats de batterij in het daarvoor voorzien compartiment en druk op de On/Off-knop.
➤ De Parrot Swing gaat aan.
- 2.** Plaats de Parrot Swing op een vlak oppervlak, de propellers naar boven.

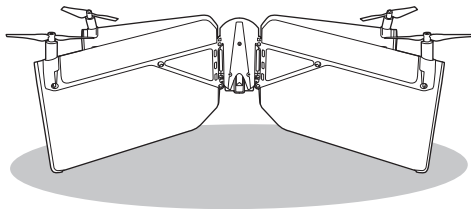


3. Wacht tot de lampjes groen zijn.
4. Druk op de On/Off-knop van de Parrot Flypad.
 - Het lampje van de Parrot Flypad knippert groen en blijft daarna groen als de verbinding gemaakt is.



OPSTIJGEN

1. Plaats de Parrot Swing op een vlak oppervlak, de propellers naar boven.



2. Druk op .
> De Parrot Swing stijgt op en blijft 1 meter boven de grond hangen in afwachting van het volgende bevel.

LANDEN

- Om de Parrot Swing te laten landen drukt u op .
- > De Parrot Swing landt.

BESTUREN

LINKERKNOP



Stijgen



Dalen



~~X~~ Kwartslag
naar links
Naar links



~~X~~ Kwartslag
naar rechts
Naar rechts

RECHTERKNOP



~~X~~ Versnellen
Vooruit



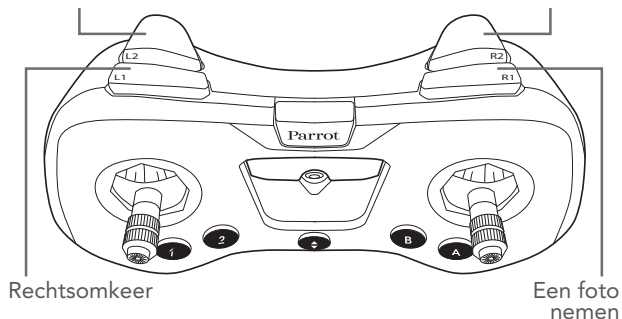
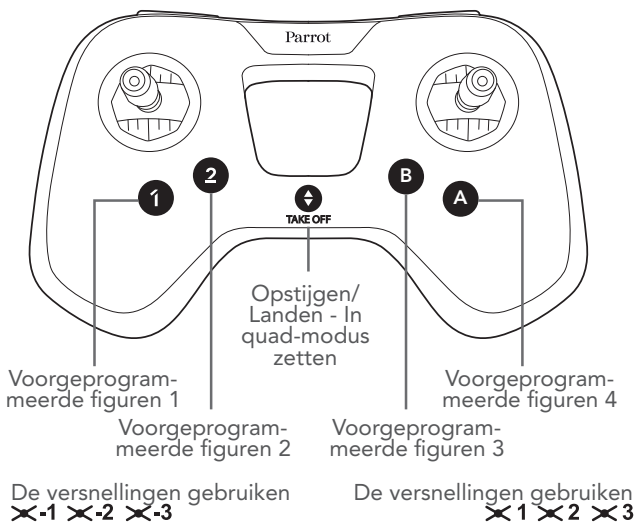
~~X~~ Afremmen
Achteruit



~~X~~ Naar links
gaan
Naar links



~~X~~ Naar rechts
gaan
Naar rechts



Deze configuratie is een standaard configuratie. De knoppen van de Parrot FLYPAD wijzigen en personaliseren (zie de knoppen configureren).

WERKING VAN DE CONTROLELAMPJES

PARROT SWING

Brandt continu oranje	De Parrot Swing is bezig met opstarten. > Plaats de Parrot Swing op een vlak oppervlak, de propellers naar boven.
Brandt continu groen	De Parrot Swing is klaar voor gebruik.
Knippert rood	De batterij van de Parrot Swing is bijna leeg. > Laad de batterij op.
Brandt continu rood	De Parrot Swing heeft een fout gedetecteerd. > Zorg ervoor dat de <i>Bluetooth</i>[®] geactiveerd is op uw smartphone. Indien het probleem aanhoudt, raadpleeg www.parrot.com.

PARROT FLYPAD

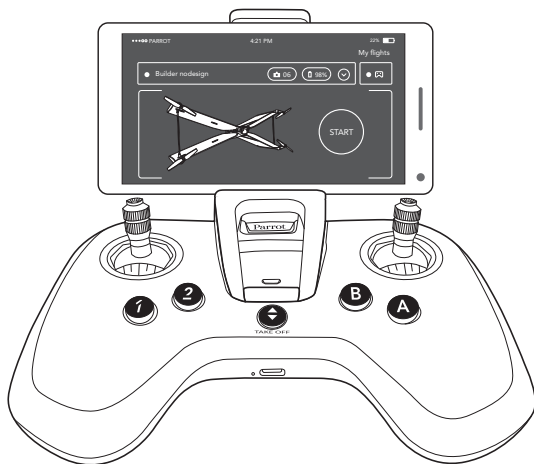
Brandt continu groen	De Parrot Flypad is aangesloten op de Parrot Swing of op uw smartphone.
Knippert groen	De Parrot Flypad wacht op verbinding.
Knippert rood	De Parrot Flypad wacht op verbinding maar het batterijniveau is laag. > Laad de batterij van de Parrot Flypad opnieuw op.
Brandt continu rood	De Parrot Flypad is aangesloten op uw smartphone of op uw Parrot Swing maar het batterijniveau is laag. > Laad de batterij van uw Parrot Flypad opnieuw op.
Brandt continu rood en Parrot Flypad vibreert	De Parrot Flypad is aangesloten op uw smartphone of op uw Parrot Swing maar het batterijniveau van de Parrot Swing is laag. > Laad de batterij van uw Parrot Swing opnieuw op.

FREEFLIGHT MINI

U kunt de instellingen van uw Parrot Swing en uw Parrot Flypad configureren.

Hiervoor:

Gaat u naar de App Store® of naar Google Play™ en downloadt u gratis de applicatie FreeFlight Mini.



ALGEMENE INFORMATIE

VOORZORGSMAATREGELEN VOOR GEBRUIK EN ONDERHOUD

PARROT FLYPAD

De Parrot Flypad moet gebruikt worden voor het besturen van de Parrot Swing en is niet geschikt voor kinderen onder de 14.

Raadpleeg de lijst met drones die compatibel zijn met de Parrot Flypad op de Helppagina op www.parrot.com.

Gebruik alleen accessoires die door Parrot Drones SAS aanbevolen worden.

Als zand of stof in de Parrot Flypad komt, kan het zijn dat het apparaat permanent beschadigd is en dus niet meer goed functioneert.

Stel de Parrot Flypad niet bloot aan regen en laat de machine niet te lang in de zon staan.

Gebruik dit apparaat niet in de buurt van vloeistoffen.

Inslikingsgevaar van kleine onderdelen. De verpakkingen maken geen deel uit van het product en dienen te worden weggegooid.

PARROT SWING

De Parrot Swing is niet geschikt voor kinderen onder de 14.

De Parrot Swing is een modelvliegtuig dat ontworpen is voor recreatieve en vrijetijdsdoeleinden. De bestuurder moet altijd visueel contact houden met de Parrot Swing en het traject beheersen. De Parrot Swing moet gebruikt worden in overeenstemming met de regels voor de burgerluchtvaart in uw land. De plaatsen waar u dit apparaat gebruikt, moeten geschikt zijn voor deze activiteit zodat de veiligheid van personen, dieren en goederen gewaarborgd kan worden. Het gebruik van de Parrot Swing op bepaalde openbare plaatsen (bijv: stations, luchthavens ...) of op een openbare weg, kan verboden zijn.

De propellers van de Parrot Swing kunnen tijdens de vlucht schade aan voorwerpen veroorzaken of personen verwonden. Behoud altijd een veiligheidsafstand met de

Parrot Swing. Raak de vliegende Parrot Swing niet aan. Wacht tot de propellers compleet tot stilstand zijn gekomen voordat u de Parrot Swing aanraakt.

Gebruik alleen accessoires die door Parrot Drones SAS aanbevolen worden.

Als zand of stof in de Parrot Swing komt, kan het zijn dat het apparaat permanent beschadigd is en dus niet meer goed functioneert.

Gebruik de Parrot Swing niet bij slecht weer (regen, harde wind, sneeuw) of als de zichtbaarheid slecht is ('s nachts).

Bewaar een veilige afstand tussen de Parrot Swing en hoogspanningslijnen, gebouwen of een andere potentieel gevaarlijke zone.

Gebruik dit apparaat niet in de buurt van vloeistoffen. Plaats de Parrot Swing niet op het water of op een vochtig oppervlak, dit kan permanente schade veroorzaken.

Laat de Parrot Swing niet in de zon staan.

WAARSCHUWING MET BETREKKING TOT PRIVACY EN RECHT OP EEN AFBEELDING

Het opnemen en publiceren van een portret van een persoon zonder zijn/haar toestemming kan gezien worden als een inbreuk op de privacy van die persoon waarvoor u verantwoordelijk kan worden gesteld. Vraag om toestemming voordat u mensen filmt, met name als u de opnames wilt bewaren en/of wilt publiceren. Publiceer geen vernederende beelden of beelden die de reputatie of de waardigheid van een persoon kunnen schaden.

Het opnemen en publiceren van een afbeelding van een goed zonder toestemming van de eigenaar en/of een derde partij die het intellectuele eigendom over het goed bezit, kan gezien worden als inbreuk op het recht op een afbeelding waarvoor u verantwoordelijk kan worden gesteld. Vraag toestemming aan de eigenaar en/of aan de derde die de eigendomsrechten bezit.

RECYCLEN VAN HET PRODUCT



Het symbool op het product of de documentatie geeft aan dat dit apparaat niet weggegooid mag worden met het gewone huisvuil. Het ongecontroleerd lozen van afval kan het milieu of de gezondheid schaden.

Gelieve het afval te scheiden en op verantwoorde wijze te recyclen. Dit bevordert het duurzaam hergebruik van het materiaal. We nodigen u uit contact op te nemen met uw dealer of bij uw gemeentehuis na te vragen hoe de Parrot Flypad/Parrot Swing gerecycled kan worden.

GARANTIE

Voor de garantievoorwaarden raadpleegt u de Algemene Verkoopvoorwaarden van de verkoper bij wie u dit product heeft gekocht.

VERKLARING CONFORMITEIT (PARROT FLYPAD)

PARROT DRONES, 174 quai de Jemmapes, 75010 Paris, France, hereby declares that it is solely responsible for the compliance of the product described in this user guide with technical standards, EN 301489-17, EN300328, EN71-1, EN71-2, EN71-3, EN62115, EN62321 (1-7), according to the provisions of the R&TTE Directive 1999/5/EC and the General Product Safety Directive 2001/95/EC, the ROHS Directive 2011/65/EU.

<http://www.parrot.com/uk/ce/?parrot-flypad>

VERKLARING CONFORMITEIT (PARROT SWING)

Parrot SA, 174 quai de Jemmapes, 75010 Paris, Frankrijk verklaart onder zijn verantwoordelijkheid dat het product, beschreven in deze handleiding, overeenstemt met de technische normen EN 301489-17, EN300328, EN71-1, EN71-2, EN62115 volgens de bepalingen van de richtlijn R&TTE 1999/5/CE en de algemene veiligheidsrichtlijn voor producten 2001/95/EG. De verklaring van overeenstemming is te raadplegen op het volgende adres: <http://www.parrot.com/uk/ce/?parrot-swing>

FCC/IC

Om te voldoen aan de FCC / IC RF blootstelling richtlijnen voor transmissie-apparatuur, moet een afstand van minstens 20 cm tussen het product antenne en individuen. Om compliant te blijven is het niet aan te raden om het product te gebruiken op een afstand van minder dan dit.

BATTERIJ

PAS OP: Het niet naleven van al deze instructies kan ernstig letsel veroorzaken, de batterij permanent beschadigen en brand, rook of een ontploffing veroorzaken.

Controleer altijd de conditie van de batterij voordat u deze oplaadt of gebruikt. Vervang de batterij als deze gevallen is, indien de batterij vreemd ruikt, oververhit, verkleurt, vervormt of lekt. Gebruik altijd een goedgekeurde LiPo-oplader voor het opladen van de batterij. Gebruik altijd een LiPo oplader met gekalibreerde cellen of een LiPo celkalibrator. Wij raden u aan geen andere lader te gebruiken dan het exemplaar dat bij het product geleverd is. Nooit onder laagspanning opladen of onder 2.5V per cel. De temperatuur van de batterij mag nooit 60°C (140°F) overschrijden

anders kan de batterij beschadigd worden of vlam vatten. Laad de batterij nooit op, op een ontvlambare ondergrond, dicht bij ontvlambare producten of in een voertuig (plaats de batterij in een onbrandbaar en niet geleidend recipiënt). Laat de batterij nooit opladen zonder toezicht. Nooit de kabel of de behuizing demonteren of wijzigen, of de cellen doorboren. Zorg ervoor dat de uitgangsstroom van de oplader overeenkomt met de spanning van de batterij. De batterij nooit kortsluiten. De LiPo batterij nooit blootstellen aan vocht of direct zonlicht of in een omgeving plaatsen waar de temperatuur de 60°C kan overschrijden (een auto in de volle zon bijvoorbeeld). Altijd buiten bereik van kinderen houden.



De accuklemmen mogen niet kortgesloten worden. Het product mag alleen worden aangesloten op hardware van klasse II die voorzien is van het symbool hiernaast.

MERKEN

Parrot Flypad, Parrot Swing en de respectievelijke logo's zijn merken van Parrot Drones SAS.

Parrot en de logo's van Parrot zijn geregistreerde merken van Parrot S.A.

App Store is een handelsmerk van Apple Inc.

Google Play is een handelsmerk van Google Inc.

The **Bluetooth**® name and logo are registered trademarks of Bluetooth SIG, Inc. and any use of these trademarks by Parrot Drones SAS is done under licence.

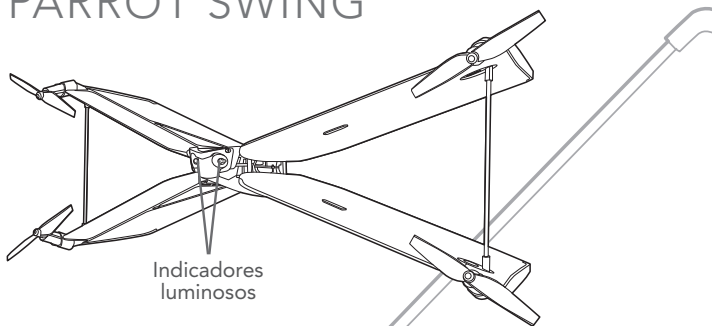
Alle andere merken die in deze handleiding vermeld staan, zijn eigendom van de respectievelijke eigenaren.

INFORMATIE VAN DE FABRICANT

De Parrot Flypad/Parrot Swing is vervaardigd door: PARROT DRONES SAS - 174 Quai de Jemmapes - 75010 Parijs (Frankrijk) - RCS Paris 808 408 074
www.parrot.com



APRESENTAÇÃO DO PARROT SWING



LED de carregamento

Patilha

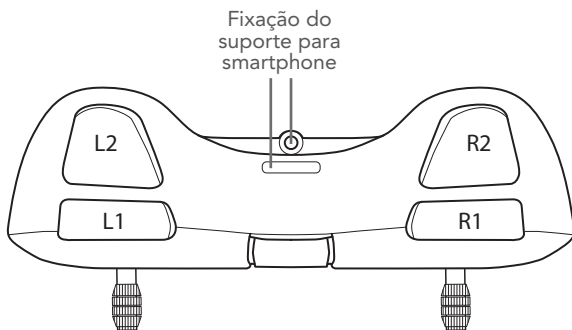
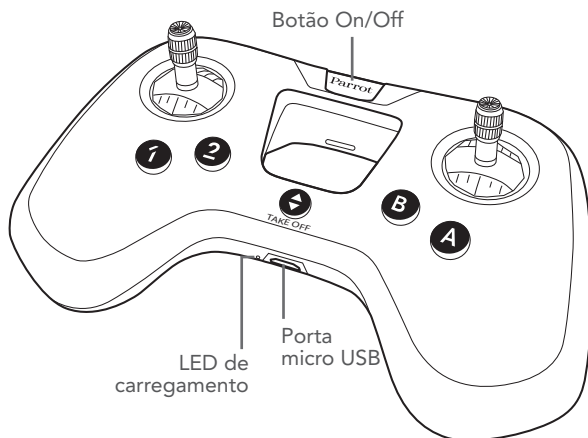
Localização
da bateria

Botão On/Off

Porta micro USB

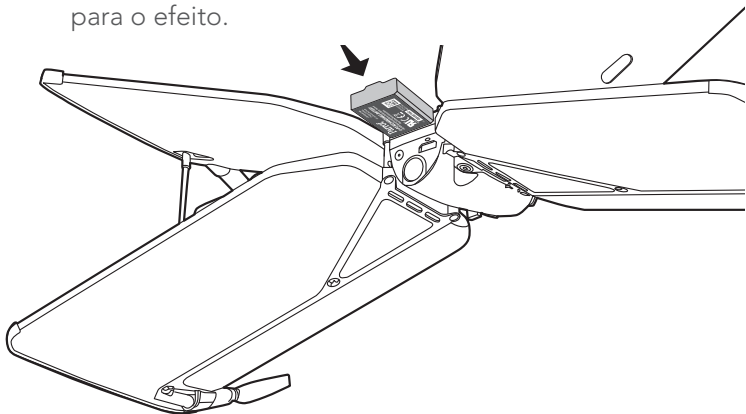
Câmara

APRESENTAÇÃO DO PARROT FLYPAD

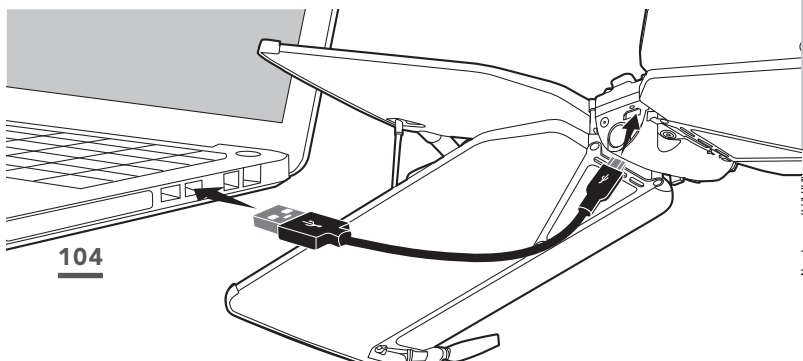


PARROT SWING: CARREGAR A BATERIA

1. Colocar a bateria no compartimento previsto para o efeito.



2. Com o cabo micro USB, ligar o Parrot Swing a um computador ou a um adaptador de corrente USB.



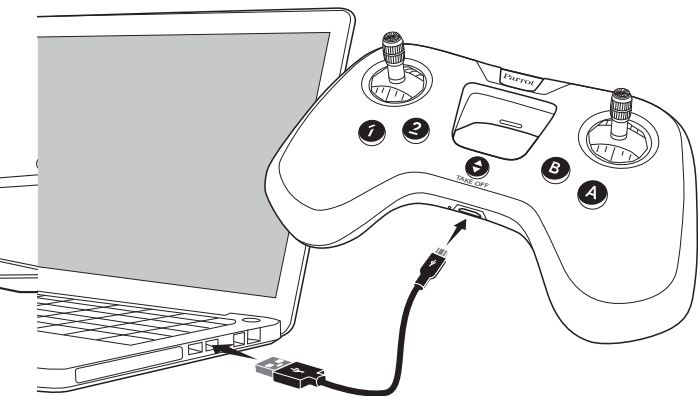
O LED de carregamento permanece vermelho durante o processo.

O tempo de carregamento é de cerca de 30 minutos com um carregador 2,1 A. Uma vez terminado o carregamento, o LED passa a verde.

Para retirar a bateria, elevar a patilha e fazer deslizar a bateria para trás.

CARREGAR A BATERIA

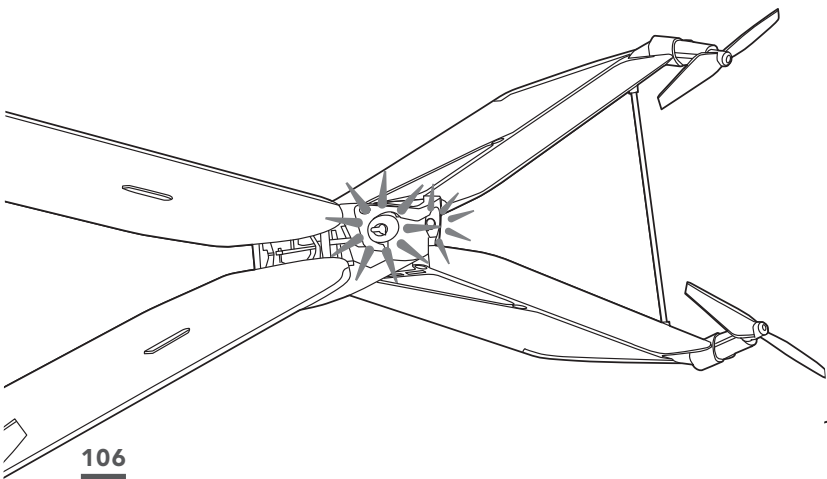
1. Ligar o cabo micro USB à porta micro USB do Parrot Flypad.
2. Ligar a porta USB a um computador ou a um adaptador de corrente USB.
 - O LED de carregamento ilumina-se a vermelho para indicar que o aparelho está em carregamento. Uma vez terminado o carregamento, o LED passa a verde.



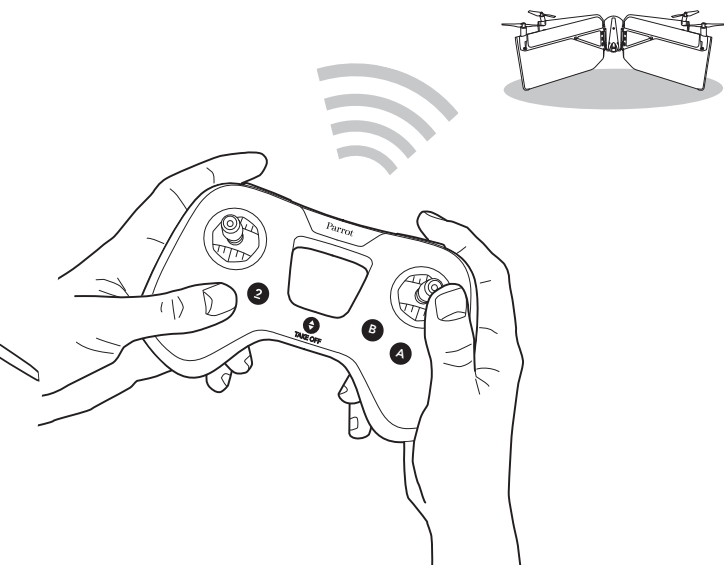
O tempo de carregamento é de cerca de 2 horas. Concluído o carregamento, o Parrot Flypad tem uma autonomia de aproximadamente 6 horas.

CONECTAR O PARROT FLYPAD AO SEU PARROT SWING

- 1.** Colocar a bateria no compartimento previsto para o efeito ou premir o botão On/Off.
➤ O Parrot Swing liga-se.
- 2.** Posar o Parrot Swing sobre uma superfície plana, com as hélices para cima.

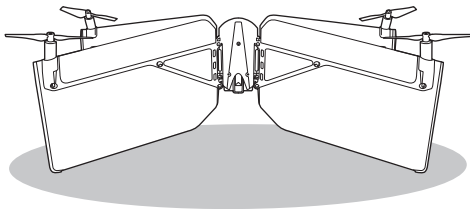


3. Esperar até que os indicadores luminosos fiquem verdes.
4. Premir o botão On/Off do Parrot Flypad.
 - O visor luminoso do Parrot Flypad pisca no verde e fica fixo após a ligação ser estabelecida.



DECOLAGEM

1. Posar o Parrot Swing sobre uma superfície plana, com as hélices para cima.



2. Premir .

> O Parrot Swing decola e estabiliza a 1 metro do solo a aguardar os comandos.

ATERRAGEM

Para aterrar o Parrot Swing premir o botão .

> O Parrot Swing aterra.

PILOTAR

COMANDO ESQUERDO





Montar





Descer





 Quarto de volta à esquerda
 Virar à esquerda





 Quarto de volta à direita
 Virar à direita

COMANDO DIREITO





 Acelerar
 Avançar





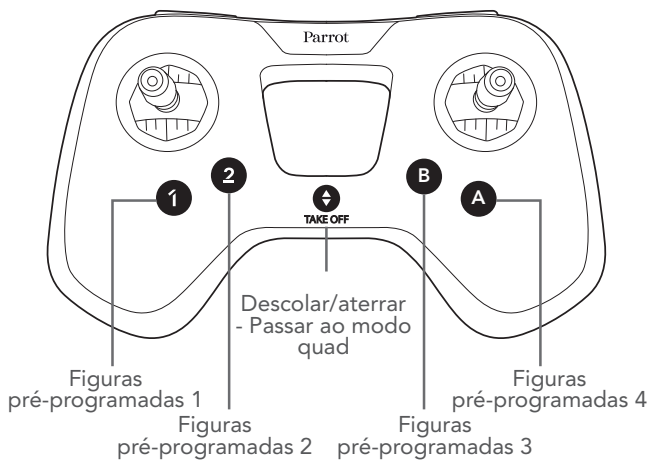
 Abrandar
 Recuar



 Deslocar-se para a esquerda
 Virar à esquerda



 Deslocar-se para a direita
 Virar à direita

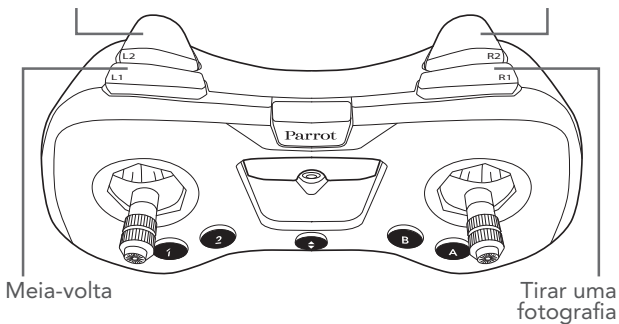


Ativar as velocidades

~~X~~-1 ~~X~~-2 ~~X~~-3

Ativar as velocidades

X 1 X 2 X 3



Esta configuração é a predefinida. Alterar e personalizar os comandos do Parrot Flypad (consultar Configurar botões).

COMPORTAMENTO DOS INDICADORES LUMINOSOS

PARROT SWING

Cor de laranja fixo	<p>O Parrot Swing está a iniciar.</p> <p>> Posar o Parrot Swing sobre uma superfície plana, com as hélices para cima.</p>
Verde fixo	<p>O Parrot Swing está pronto a ser utilizado.</p>
Vermelho intermitente	<p>A bateria do Parrot Swing está fraca.</p> <p>> Carregar a bateria.</p>
Vermelho fixo	<p>O Parrot Swing detetou um problema.</p> <p>> Assegure-se de que tem o <i>Bluetooth</i>[®] ativado no smartphone. Se o problema persistir, visite www.parrot.com.</p>

PARROT FLYPAD

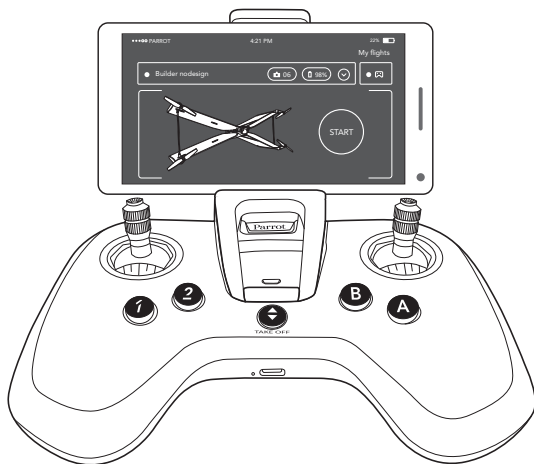
Verde fixo	O Parrot Flypad está ligado ao Parrot Swing ou ao smartphone.
Verde intermitente	O Parrot Flypad está a aguardar ligação.
Vermelho intermitente	O Parrot Flypad está a aguardar ligação, mas a bateria está fraca. > Recarregar a bateria do Parrot Flypad
Vermelho fixo	O Parrot FlyPad está ligado ao smartphone ou ao Parrot Swing mas a bateria está fraca. > Recarregar a bateria do Parrot Flypad.
Vermelho fixo com vibrações no Parrot Flypad	O Parrot FlyPad está ligado ao smartphone ou ao Parrot Swing mas a bateria deste último está fraca. > Recarregar a bateria do Parrot Swing.

FREEFLIGHT MINI

Pode configurar as definições do seu Parrot Swing e do seu Parrot Flypad.

Para isso:

Conecte-se à App Store® ou em Google Play™ e transfira gratuitamente a aplicação FreeFlight Pro.



INFORMAÇÕES GERAIS

PRECAUÇÕES DE UTILIZAÇÃO E MANUTENÇÃO

PARROT FLYPAD

O Parrot Flypad destina-se a pilotar o Parrot Swing e não é adequado para crianças com menos de 14 anos.

Consulte a lista de drones compatíveis com Parrot Flypad na secção Apoio em www.parrot.com.

Utilize apenas os acessórios especificados para Parrot drones SAS.

Caso areia ou pó penetre no Parrot Flypad, este poderá não funcionar mais corretamente, de forma irreversível.

Não exponha o Parrot Flypad à chuva e de forma prolongada ao sol.

Não utilize este aparelho perto de substâncias líquidas.

Risco de ingestão de peças pequenas. As embalagens não fazem parte do produto e devem ser eliminadas por motivos de segurança.

PARROT SWING

A utilização do Parrot Swing por crianças com menos de 14 anos não é aconselhável.

O Parrot Swing é um aeromodelo concebido para fins recreativos e de lazer. O piloto deve manter sempre um contacto visual do Parrot Swing e controlar a sua trajetória. O Parrot Swing deve ser utilizado em conformidade com as normas de aviação civil em vigor no país. Os locais de utilização devem estar adaptados à sua evolução para garantir a segurança de pessoas, animais e bens em todos os momentos. A utilização do Parrot Swing em determinados locais de domínio público (por ex.: estações, aeroportos, etc.) ou na via pública pode não estar autorizada.

Durante o voo, as hélices do Parrot Swing podem causar lesões nas pessoas, animais ou danificar objetos. Mantenha sempre uma distância de segurança face ao Parrot Swing. Não toque no Parrot Swing em voo. Esperar até à paragem completa das hélices antes de manipular o Parrot Swing.

Utilizar apenas os acessórios especificados pela Parrot Drones SAS.

Caso areia ou poeira penetrem no Parrot Swing, este pode não funcionar corretamente, de forma irreversível.

Não utilizar o Parrot Swing em condições meteorológicas desfavoráveis (chuva, vento forte, neve) nem em condições de visibilidade insuficientes (noite).

Manter o Parrot Swing afastado das linhas de alta tensão, edifícios ou de qualquer outra zona potencialmente perigosa.

Não utilizar este aparelho junto a substâncias líquidas. Não posar o Parrot Swing sobre água nem superfícies húmidas, uma vez que isto pode provocar danos irreversíveis.

Não deixe o Parrot Swing ao sol.

AVISO RELATIVO AO RESPEITO PELA VIDA PROVADA E RESPEITO PELA IMAGEM DOS BENS

Gravar e transmitir a imagem de uma pessoa sem a sua autorização podem constituir uma violação à sua privacidade e ser suscetível de implicar a sua res-

ponsabilidade. Peça autorização antes de filmar as pessoas, especialmente, caso deseje guardar as suas gravações e/ou divulgá-las. Não transmita imagens degradantes ou que possam prejudicar a reputação ou a dignidade de uma pessoa.

Gravar e difundir a imagem de um bem sem a permissão do seu proprietário e/ou de quaisquer terceiros que possuam direitos de propriedade intelectual sobre esse bem pode constituir uma violação do direito à imagem do bem e ser suscetível de implicar a sua responsabilidade. Peça autorização ao seu proprietário e/ou a quaisquer terceiros que possuam direitos de propriedade.

COMO RECICLAR ESTE PRODUTO



Este símbolo no produto ou respetiva documentação indica que este não deve ser eliminado no fim de vida juntamente com os resíduos domésticos. A eliminação não controlada de resíduos podem implicar danos para o ambiente ou a saúde humana, certifique-se que o separa de outros tipos de resíduos e o recicla de forma responsável. Deste modo estará a promover a reutilização sustentável dos recursos materiais. Convidamo-lo a contactar o seu revendedor ou a informa-se junto da sua autarquia para saber onde e como o Parrot Flypad/Parrot Swing pode ser reciclado.

GARANTIA

Para conhecer as condições de garantia consulte as Condições gerais de venda do revendedor onde comprou o Parrot Flypad/Parrot Swing.

DECLARAÇÃO DE CONFORMIDADE (PARROT FLYPAD)

PARROT DRONES, 174 quai de Jemmapes, 75010 Paris, France, declara por sua exclusiva responsabilidade que o produto descrito no presente guia do utilizador está em conformidade com as normas técnicas, EN 301489-17, EN300328, EN71-1, EN71-2, EN71-3, EN62115, EN62321 (1-7) de acordo com o disposto na diretiva R&TTE 1999/5/CE e na diretiva relativa à segurança geral dos produtos 2001/95/CE, bem como com a diretiva RoHS 2011/65/UE. <http://www.parrot.com/uk/ce/?parrot-flypad>

DECLARAÇÃO DE CONFORMIDADE (PARROT SWING)

PARROT DRONES, 174 quai de Jemmapes, 75010 Paris, France, declara por sua exclusiva responsabilidade que o produto descrito no presente guia do utilizador está em conformidade com as normas técnicas, EN 301489-17, EN300328, EN71-1, EN71-2, EN62115 de acordo com o disposto na diretiva DIRECTIVE R&TTE 1999/5/CE e na diretiva relativa à segurança geral dos produtos 2001/95/CE. A declaração de conformidade está disponível no seguinte endereço: <http://www.parrot.com/uk/ce/?parrot-swing>

FCC/IC

Para atender aos requisitos relativos à exposição RF da FCC/IC para os aparelhos de transmissão, uma distância de, pelo menos, 20cm deve ser mantida entre a antena do produto e as pessoas. Para garantir a conformidade, a distância menor não é recomendada.

BATERIA

ATENÇÃO: O desrespeito de todas as instruções pode resultar em ferimentos graves, provocar danos irreversíveis na bateria e provocar um incêndio, emissão de fumo ou uma explosão.

Verifique sempre o estado da bateria antes de a carregar ou usar. Substitua a bateria caso esta tenha sofrido um choque, ou em caso de cheiro, se sobreaquecimento, descoloração, deformação ou fuga. Nunca utilize nada para carregar a bateria que não seja um carregador aprovado LiPo. Use sempre um carregador de equilíbrio de células LiPo ou um equilibrador de células LiPo. Recomendamos que não utilize qualquer outro carregador que não seja o fornecido com o produto. Nunca realize o carregamento em regime lento, ou inferior a 2,5 V por célula. A temperatura da bateria nunca deve exceder os 60°C (140°F), caso contrário a bateria pode ser danificada ou inflamar-se. Nunca realize o carregamento sobre um suporte inflamável, perto de produtos inflamáveis ou dentro de um veículo (de preferência, coloque a bateria num recipiente não inflamável e não condutor). Nunca abandone a bateria sem vigilância durante o processo de carregamento. Nunca desmonte ou modifique a cablagem da caixa nem perfure as células. Verifique sempre se a tensão de saída do carregador corresponde com a tensão da bateria. Não coloque as pilhas em curto-circuito. Não exponha a bateria LiPo à humidade ou diretamente ao sol, ou num local onde a temperatura pode exceder os 60°C (veículo em plena exposição ao sol, por exemplo). Mantenha sempre fora do alcance das crianças.



Os terminais da bateria não devem ser colocados em curto-circuito. O produto apenas deve ser ligado a material de classe II com o símbolo apresentado ao lado.

MARCAS

Parrot Flypad, Parrot Swing bem como os seus respetivos logotipos são marcas registadas de Parrot drones SAS.

Parrot e os logótipos Parrot são marcas registadas de Parrot S.A.

A App Store é uma marca de serviço de Apple Inc.

Google Play e Nexus são marcas de Google Inc.

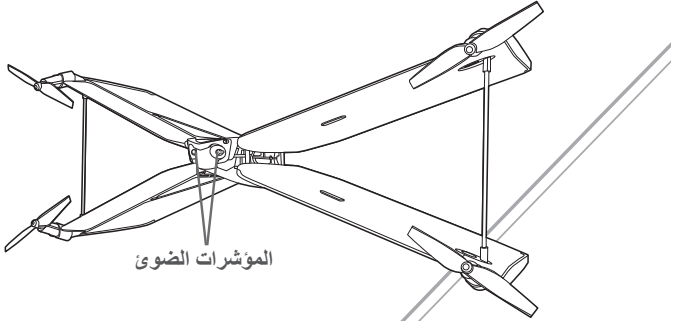
O nome e logótipo **Bluetooth**® são marcas registadas da Bluetooth SIG, Inc. e qualquer utilização dos mesmos pela Parrot drones SAS é feita sob licença. Todas as outras marcas mencionadas neste guia são propriedade dos seus respetivos titulares.

INFORMAÇÕES DO FABRICANTE

O Parrot Flypad/Parrot Swing é fabricado por : PARROT DRONES SAS - 174 Quai de Jemmapes - 75010 Paris (França) - RCS Paris 808 408 074
www.parrot.com



تقديم PARROT SWING



مؤشر الشحن LED

اللسين

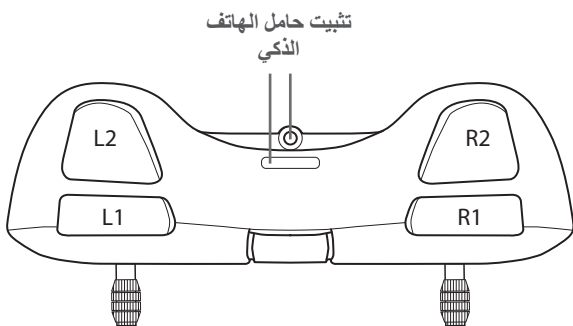
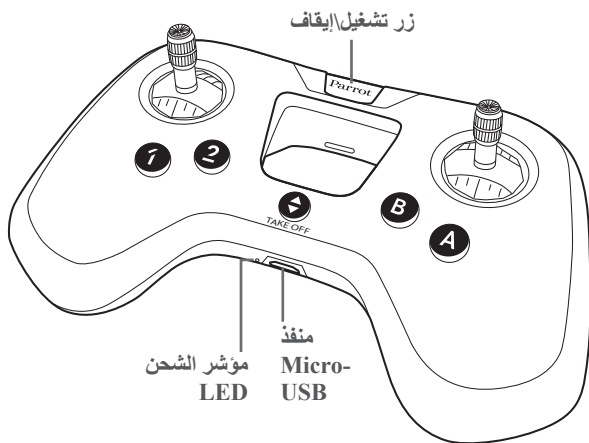
حجرة البطارية

زر تشغيل الإيقاف

منفذ Micro-USB

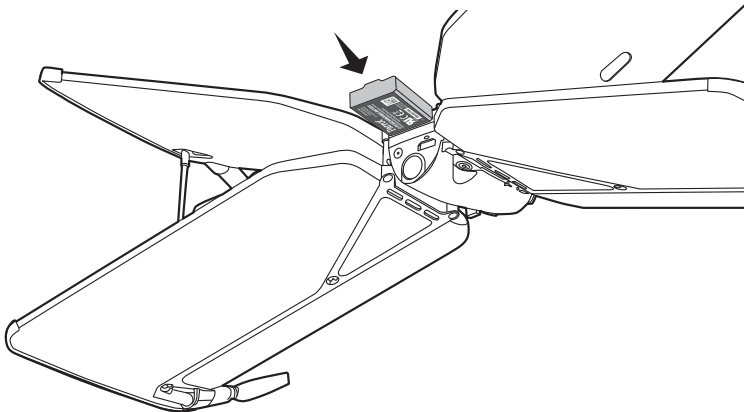
الكاميرا

تقديم PARROT FLYPAD

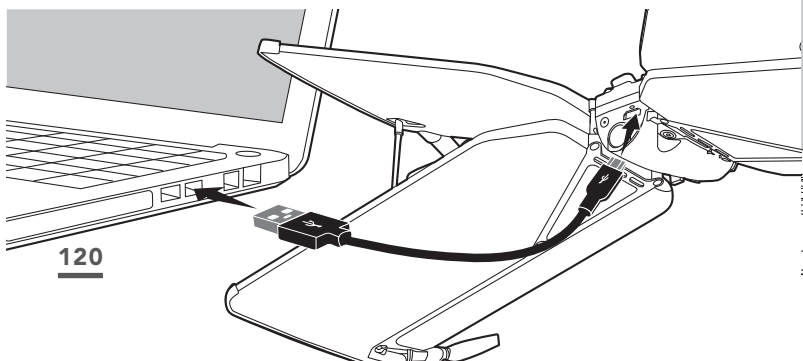


PARROT SWING: شحن البطارية

1. قم بإدخال البطارية في الحجرة المخصصة لهذا الغرض.



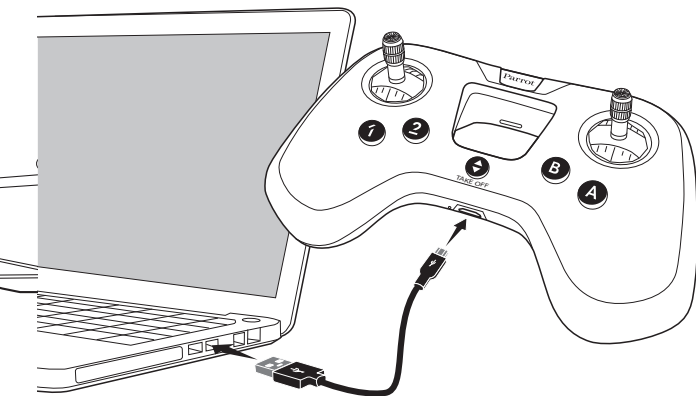
2. باستخدام كابل micro-USB، قم بتوصيل جهاز Parrot Swing بالكمبيوتر أو بمحول قابس كهربائي USB.



مؤشر الشحن LED يكون أحمر ثابت أثناء الشحن.
مدة الشحن 30 دقيقة تقريباً عند استخدام شاحن 2,1A. بمجرد اكتمال
الشحن، يتحول لون مؤشر LED إلى الأخضر.
لنزع البطارية، ارفع اللسين وادفع البطارية إلى الخلف.

شحن البطارية

1. قم بتوصيل كابل micro-USB في منفذ micro-USB الموجود في جهاز Parrot Flypad.
 2. قم بتوصيل منفذ USB بجهاز الكمبيوتر أو بمحول قابس كهربائي USB.
- < مؤشر الشحن LED أحمر اللون يشير إلى أنه قيد الشحن. بمجرد اكتمال الشحن، يتحول لون مؤشر LED إلى الأخضر.



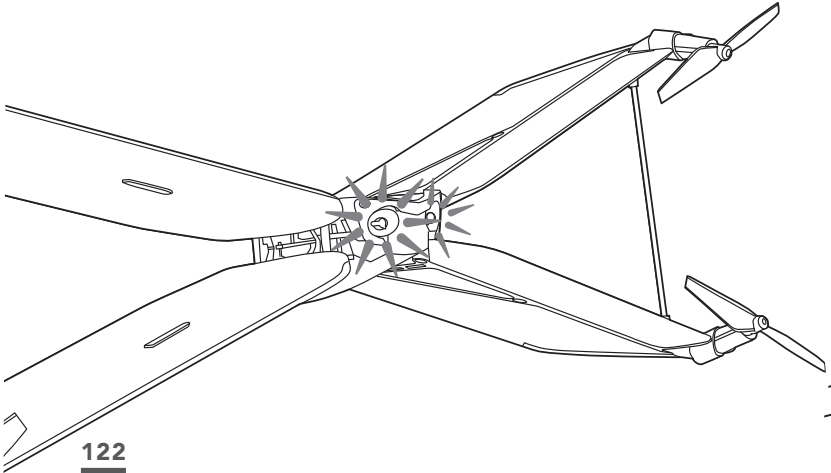
وقت الشحن 2 ساعة تقريبًا.. باكتمال الشحن، عمر بطارية جهاز Parrot Flypad 6 ساعات تقريبًا.

توصيل هاتفك الذكي بجهاز PARROT FLYPAD

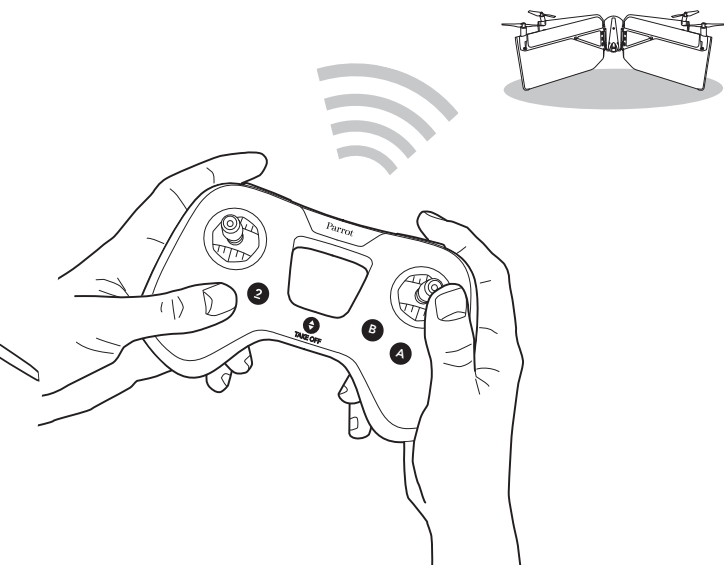
1. قم بإدخال البطارية في الحجرة المخصصة لهذا الغرض أو اضغط على زر تشغيل/الإيقاف.

< يبدأ تشغيل جهاز Parrot Swing.

2. ضع جهاز Parrot Swing على سطح مستو والمراوح جهة الأعلى.

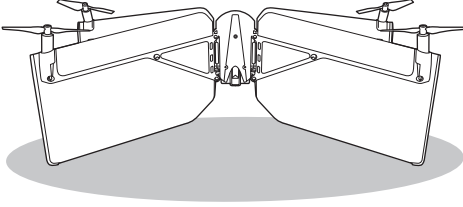


1. انتظر حتى تتحول المؤشرات الضوئية إلى اللون الأخضر.
 2. اضغط على زر تشغيل/إيقاف جهاز Parrot Flypad.
- المؤشر الضوئي بجهاز Parrot Flypad يومض باللون الأخضر ثم يصبح بالأخضر الثابت بمجرد الاتصال.



الإقلاع

1. ضع جهاز Parrot Swing على سطح مستو، والمراوح جهة الأعلى.



2. اضغط على .

< ترفع Parrot Swing وتستقر على ارتفاع 1 متر من الأرض في انتظار أوامر التوجيه.

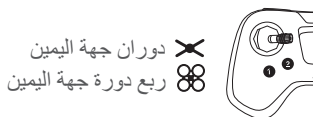
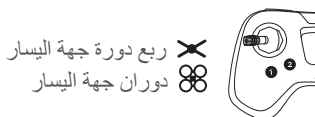
الهبوط

لهبوط الطائرة Parrot Swing اضغط على الزر .

< الطائرة Parrot Swing تهبط.

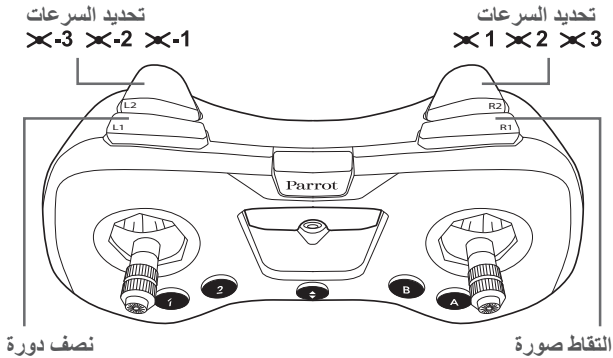
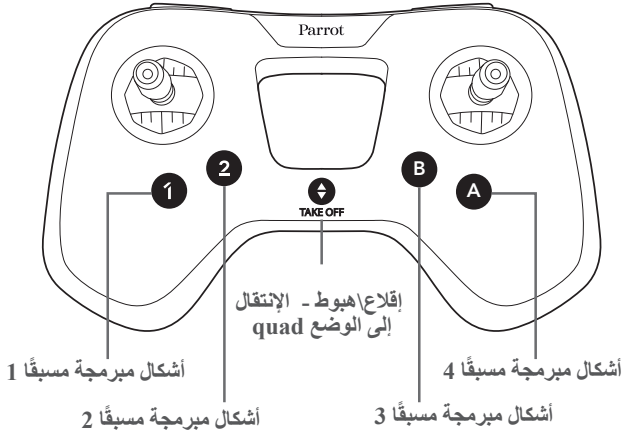
التوجيه

جهاز التحكم جهة اليسار



جهاز التحكم جهة اليمين





هذا التكوين هو التكوين الافتراضي. قم بتعديل وتخصيص أوامر جهاز Parrot Flypad (راجع تكوين الأزرار).

أداء المؤشرات الضوئية

PARROT SWING

وميض برتقالي ثابت	طائرة Parrot Swing قيد بدء التشغيل. < ضع جهاز Parrot Swing على سطح مستو، والمراوح جهة الأعلى.
وميض أخضر ثابت	Parrot Swing جاهزة للاستخدام.
وميض أحمر متقطع	بطارية Parrot Swing ضعيفة. < أعد شحن البطارية.
وميض أحمر ثابت	Parrot Swing اكتشف وجود مشكلة. < تأكد من أن Bluetooth® نشط على هاتفك الذكي. إذا استمرت المشكلة، تفضل بزيارة الموقع www.parrot.com .

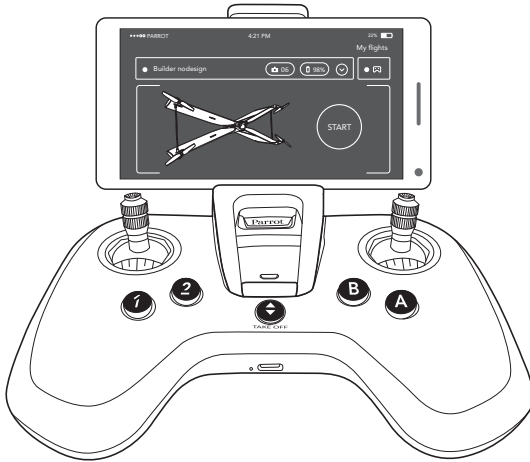
PARROT FLYPAD

ضوء أخضر ثابت	تم ربط جهاز Parrot Flypad بجهاز Parrot Swing أو بهاتفك الذكي.
يومض باللون الأخضر	جهاز Parrot Flypad في انتظار الاتصال.
يومض باللون الأحمر	جهاز Parrot Flypad في انتظار الاتصال ولكن بطاريته ضعيفة. < أعد شحن بطارية Parrot Flypad
وميض أحمر ثابت	جهاز Parrot Flypad متصل بهاتفك الذكي أو بجهاز Parrot Swing الخاص بك ولكن بطاريته ضعيفة. < أعد شحن بطارية Parrot Flypad
أحمر ثابت واهتزازات جهاز Parrot Flypad	جهاز Parrot Flypad متصل بهاتفك الذكي أو بجهاز Parrot Swing الخاص بك ولكن بطارية Parrot Swing ضعيفة. < أعد شحن بطارية Parrot Swing

FREEFLIGHT MINI

يمكنك تكوين الإعدادات الخاصة بـ Parrot و Parrot Swing و Flypad وللقيام بذلك،

ادخل على متجر® App Store أو على Google Play™ ثم قم بتنزيل تطبيق FreeFlight Mini المجاني.



معلومات عامة

احتياطات الاستخدام والصيانة

Parrot Flypad

جهاز التوجيه Parrot Flypad مخصص لتوجيه طائرات Parrot Swing ولا يلانم الأطفال أقل من 14 عامًا.

يمكنك مطالعة قائمة الطائرات بدون طيار المتوافقة مع جهاز Parrot Flypad في قسم الدعم على الموقع www.parrot.com.

استخدم فقط الاكسسوارات التي تحددها Parrot Drones SAS. في حالة دخول الرمال أو الغبار في جهاز Parrot Flypad، فيمكن لهذا الأخير ألا يعمل بشكل صحيح، وبطريقة لا رجعة فيها.

لا تعرض جهاز Parrot Flypad تحت المطر أو لمدة طويلة تحت أشعة الشمس. لا تستخدم هذا الجهاز بالقرب من المواد السائلة.

خطر ابتلاع العناصر الصغيرة. العبوات ليست جزءًا من المنتج ويجب التخلص منها من أجل سلامة المستخدم.

Parrot Swing

Parrot Swing لا تلانم الأطفال أقل من 14 عامًا.

Parrot Swing هي نموذج طائرة تم تصميمها لغايات الاستجمام والترفيه يجب على الطيار أن يكون على اتصال بصري دائم مع طائرة Parrot Swing وأن يتحكم في مسارها. يجب استخدام Parrot Swing لقواعد الطيران المدني لبلدك. أماكن الاستخدام يجب أن تكون متوافقة مع تطورها لتحقيق السلامة دائمًا للأفراد والحيوانات والممتلكات. إن استخدام طائرة Parrot Swing في بعض الأماكن العامة (على سبيل المثال: محطة القطار والمطارات و...) أو على الطريق العام قد لا يكون مصرح به. مراوح Parrot Swing أثناء الطيران قد تسبب أضرارًا للأفراد والحيوانات والأشياء. احتفظ دائمًا بوجود مسافة أمان مع

Parrot Swing. لا تلمس Parrot Swing أثناء الطيران. انتظر حتى التوقف الكامل للمراوح قبل ملامسة Parrot Swing.

استخدم فقط الملحقات المخصصة من قبل الشركة Parrot Drones SAS.

في حالة دخول الرمال أو الغبار في Parrot Swing، فيمكن لهذا الأخير ألا يعمل بشكل صحيح، وبطريقة لا رجعة فيها.

لا تستخدم Parrot Swing في ظروف الطقس السيئة (المطر، والرياح القوية والتلوج) أو عندما تكون ظروف الرؤية غير كافية (ليلًا).

ابق على Parrot Swing بعيدًا عن خطوط الكهرباء، والمباني أو أي منطقة أخرى يحتمل أن تكون خطيرة.

لا تستخدم هذا الجهاز بالقرب من المواد السائلة. لا تضع Parrot Swing على الماء أو على سطح مبلل، فقد يسبب ذلك ضررًا لا يمكن إصلاحه.

لا تترك جهاز Parrot Swing في الشمس.

تحذير خاص باحترام الحياة الخاصة واحترام صورة الممتلكات

تسجيل وبث صورة شخص دون إذنه قد يعد انتهاكاً لحياته الخاصة وقد يعرضك للمسؤولية. اطلب الإذن من الأشخاص قبل تصويرهم وخاصة إذا كنت تريد الاحتفاظ بالتسجيلات وأو بثها. لا تَقم ببث الصور المهينة أو تلك التي قد تؤثر على سمعة الأشخاص أو كرامتهم.

تسجيل وبث صورة أحد الأملاك دون إذن مالكة وأو أي شخص آخر لديه حقوق الملكية الفكرية قد يعد انتهاكاً لحقوق صورة هذا الشيء وقد يعرضك للمسؤولية. اطلب الإذن من المالك وأو من أي شخص لديه حقوق الملكية.

كيفية إعادة تدوير هذا المنتج

يُشير الشعار الموجود على المنتج أو الوثيقة الخاصة به إلى أنه لا ينبغي التخلص منه إلى جانب النفايات المنزلية الأخرى. التخلص من المخلفات بشكل عشوائي قد يتسبب في إلحاق الأضرار بالبيئة وبالصحة الإنسانية، لذا يرجى فصلها عن باقي أنواع المخلفات وإعادة تدويرها بطريقة مسؤولة. وهكذا، فإنتم تقومون بتشجيع إعادة الاستخدام المستمر للموارد المادية. ندعوك للتواصل مع البائع أو الاستعلام من خلال دار البلدية للتعرف على أين وكيف يمكن إعادة تدوير جهاز Parrot Swing/Parrot Flypad.

الضمان

لمعرفة شروط الضمان، يُرجى قراءة شروط وأحكام البيع لدى تاجر التجزئة الذي اشتريته منه / Parrot Swing/Parrot Flypad.

إعلان المطابقة وفقاً للاتحاد الأوروبي

Parrot Swing

Parrot DRONES, 174 كاي دي جيماب، 75010 باريس، فرنسا، تعلن تحت مسؤوليتها الوحيدة أن المنتج الموصوف في دليل المستخدم هذا مطابق للمعايير التقنية، EN 301489-17، EN300328، EN71-1، EN71-2، EN62115 طبقاً لنصوص التوجيه R&TTE 1999/5/CE وتوجيه السلامة العامة للمنتجات CE/2001/95. إعلان المطابقة متاح على العنوان

Parrot Flypad

Parrot DRONES, 174 كاي دي جيماب، 75010 باريس، فرنسا، تعلن تحت مسؤوليتها الوحيدة أن المنتج الموصوف في دليل المستخدم هذا مطابق للمعايير التقنية، EN 301489-17، EN300328، EN71-1، EN71-2، EN71-3، EN62115، EN62321 (1-7)، طبقاً لنصوص التوجيه CE/5/R&TTE 1999 وتوجيه السلامة العامة للمنتجات CE/2001/95، والتوجيه CE/2011/RoHS.

العلامات التجارية

لـ Parrot Flypad, Parrot Swing, Parrot Swing وكذلك شعاراتهم الخاصة تعد علامات تجارية لـ Parrot وشعارات Parrot تعد علامات تجارية مسجلة باسم Parrot S.A. متجر App Store يعد علامة تجارية لشركة Apple Inc. أي علامات تجارية غير تلك سابقة الذكر في هذا الدليل تعتبر ملك أصحابها. Google Play علامة تجارية لـ Google Inc. اسم وشعار Bluetooth® يعتبران علامات مسجلة لصالح Bluetooth SIG, Inc. وأي استخدام لهما من جانب Parrot Drones SAS مصرح به.

البطارية

انتبه: عدم الالتزام بكافة الارشادات قد يؤدي إلى إصابات خطيرة وإتلاف البطارية نهائيًا والتسبب في الحريق وانبعاث الدخان أو الانفجار.
تحقق دائمًا من حالة البطارية قبل شحنها أو استخدامها. استبدل البطارية إذا تعرضت لصدمة أو في حالة انبعاث رائحة أو سخونة زائدة أو تغيير اللون أو التشويه أو التسرب. لا تستخدم مطلقًا لشحن البطارية إلا الشاحن المعتمد من LiPo. استخدم دائمًا شاحن التوازن بين الخلايا LiPo أو موازن الخلايا LiPo. يوصى بعدم استخدام أي شاحن آخر غير الشاحن المزود مع المنتج. لا تقم مطلقًا بالشحن على نظام بطى أو أقل من ٢,٥ فط للخلية. درجة حرارة البطارية يجب ألا تزيد عن ٦٠ درجة مئوية (١٤٠ درجة فهرنهايت) وإلا قد تتعرض البطارية للتلف أو الإشتعال. لا تقم مطلقًا بالشحن على سطح قابل للاشتعال أو بالقرب من منتجات قابلة للاشتعال أو بداخل مركبة (من الأفضل وضع البطارية في وعاء غير قابل للاشتعال وغير موصل للكهرباء). لا تترك البطارية مطلقًا بدون رقابة أثناء عملية الشحن. لا تقم مطلقًا بتفكيك أو تعديل كوابل علب البطارية أو ثقب الخلايا. تحقق دائمًا من أن الجهد الخارج من الشاحن متوافق مع جهد البطارية. لا تضع البطاريات مطلقًا في دوائر كهربائية قصيرة. لا تعرض مطلقًا بطارية LiPo للرطوبة أو لأشعة الشمس المباشرة أو وضعها في مكان قد تزيد درجة الحرارة فيه عن ٦٠ درجة (سيارة معرضة بالكامل للشمس على سبيل المثال). احتفظ بها دائمًا بعيدًا عن متناول الأطفال.
تجنب وضع أطراف البطارية في دائرة قصيرة. يجب

أن يكون المنتج متصلًا بمعدات من الدرجة الثانية تحمل الرمز الموجود في المقابل.



FCC/IC

لمطابقة إرشادات FCC/IC الخاصة بالتعرض للترددات اللاسلكية وأجهزة الإرسال، يجب ترك على الأقل مسافة 20 سم بين هوائى المنتج والأشخاص. لضمان الامتثال والمطابقة، لا يوصى باستخدام المنتج على مسافة أقل من ذلك.

معلومات الشركة المصنعة

قام بتصنيع جهاز Parrot Flypad/Parrot Swing: PARROT DRONES SAS - 174 Quai de Jemmapes - 75010 Paris (France) - RCS Paris 808 408 074
www.parrot.com





MCPKG00744D